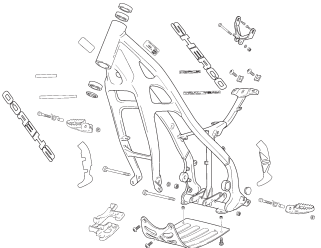
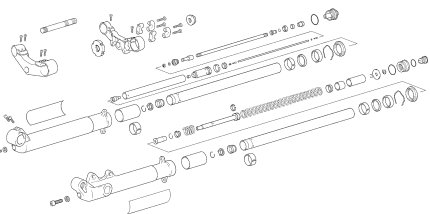
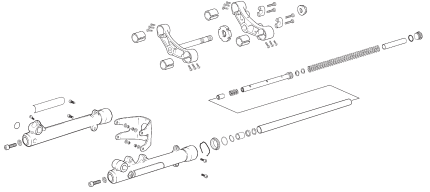
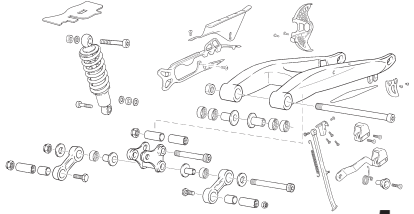
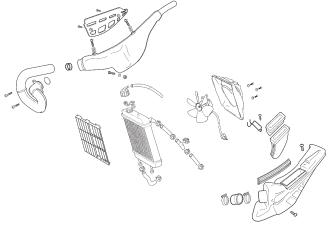
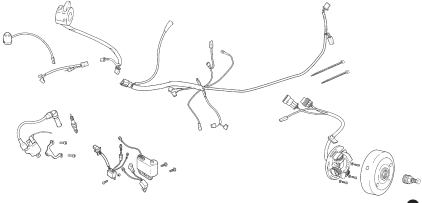
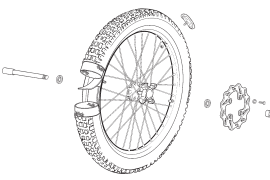
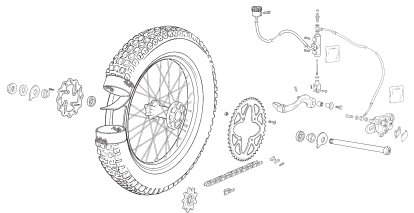
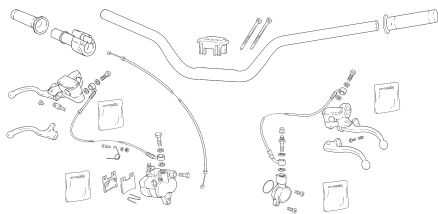
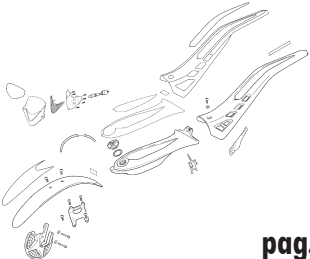
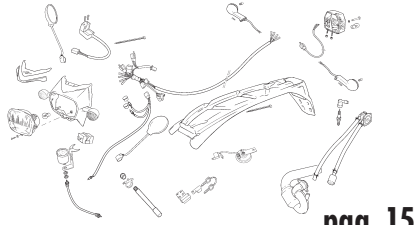
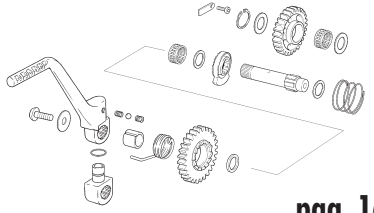
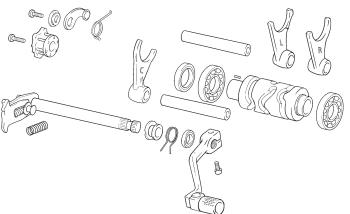
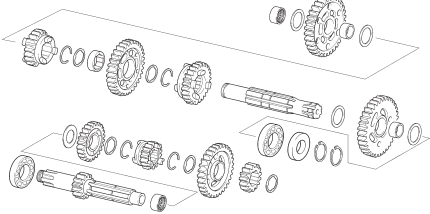
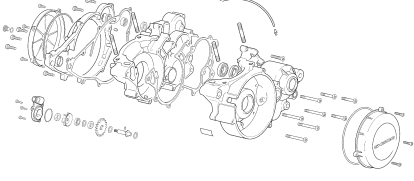
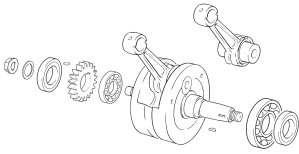


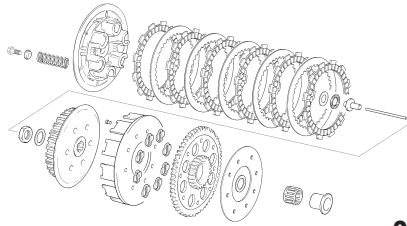
| | | |
|---|---|---|
| <p>1 Cadre / Frame / Chasis</p>  <p>pag. 1</p> | <p>2 Fourche / Fork / Horquilla</p>  <p>pag. 2 - 3</p> | <p>3 Fourche 0,8 / Fork 0,8 / Horquilla 0,8</p>  <p>pag. 4</p> |
| <p>4 Amortisseur - Bras oscillant / Rear Shock - Swingarm / Amortiguador - Basculante</p>  <p>pag. 5 - 6</p> | <p>5 Radiateur / Radiator / Radiador</p>  <p>pag. 7 - 8</p> | <p>6 Faisceau électrique / Electrical system / Instalación eléctrica</p>  <p>pag. 9</p> |
| <p>7 Roue avant / Front wheel / Rueda delantera</p>  <p>pag. 10</p> | <p>8 Roue arriere / Rear wheel / Rueda trasera</p>  <p>pag. 11 - 12</p> | <p>9 Guidon / Handlebar / Manillar</p>  <p>pag. 13</p> |
| <p>10 Plastiques / Plastics / Plásticos</p>  <p>pag. 14</p> | <p>11 Kit homologation / Kit homologation / Kit homologación</p>  <p>pag. 15</p> | <p>12 Lanceur / Kickstarter assembly / Pedal arranque</p>  <p>pag. 16</p> |
| <p>13 Selecteur / Gear selector group / Selector cambio</p>  <p>pag. 17</p> | <p>14 Boite a vitesses / Gear set / Cambio</p>  <p>pag. 18</p> | <p>15 Groupe carters / Crankcase assembly / Grupo carters</p>  <p>pag. 19</p> |

16 **Villebrequin assemble /
Crankshaft assembly / Cigüeñal biela**



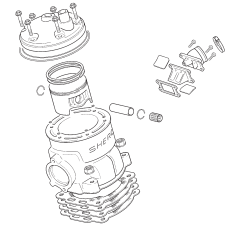
pag. 20

17 **Embrayage / Clutch / Embrague**



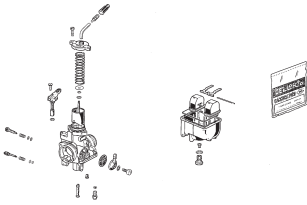
pag. 21

18 **Culasse / Cylinder head / Culata**



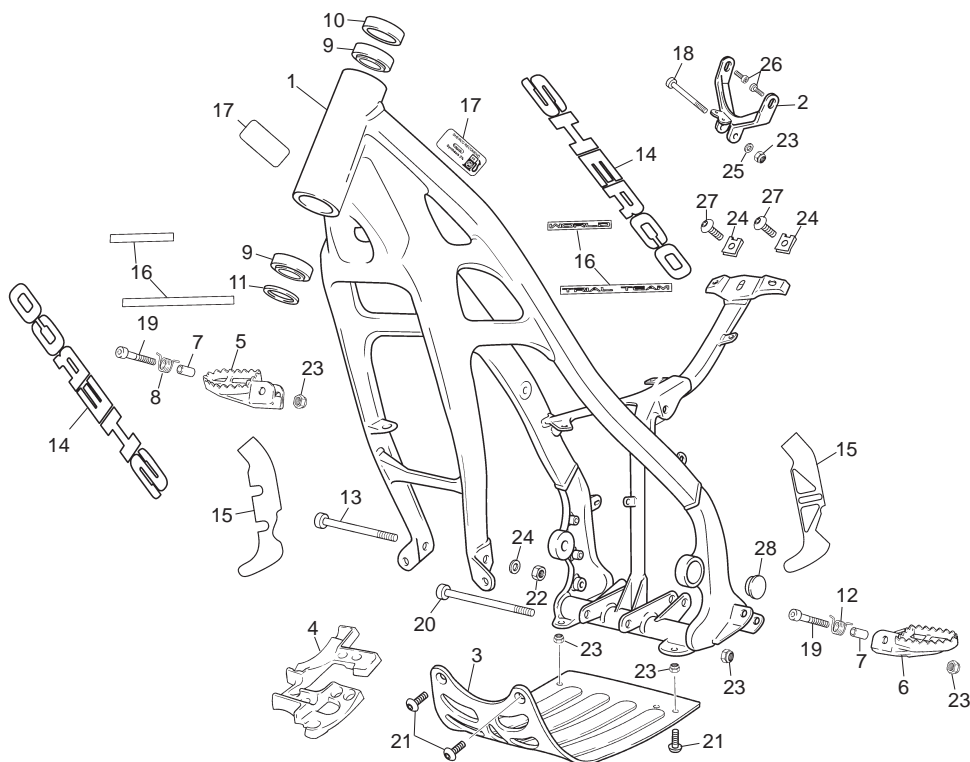
pag. 22

19 **Carburateur / Carburetor / Carburador**



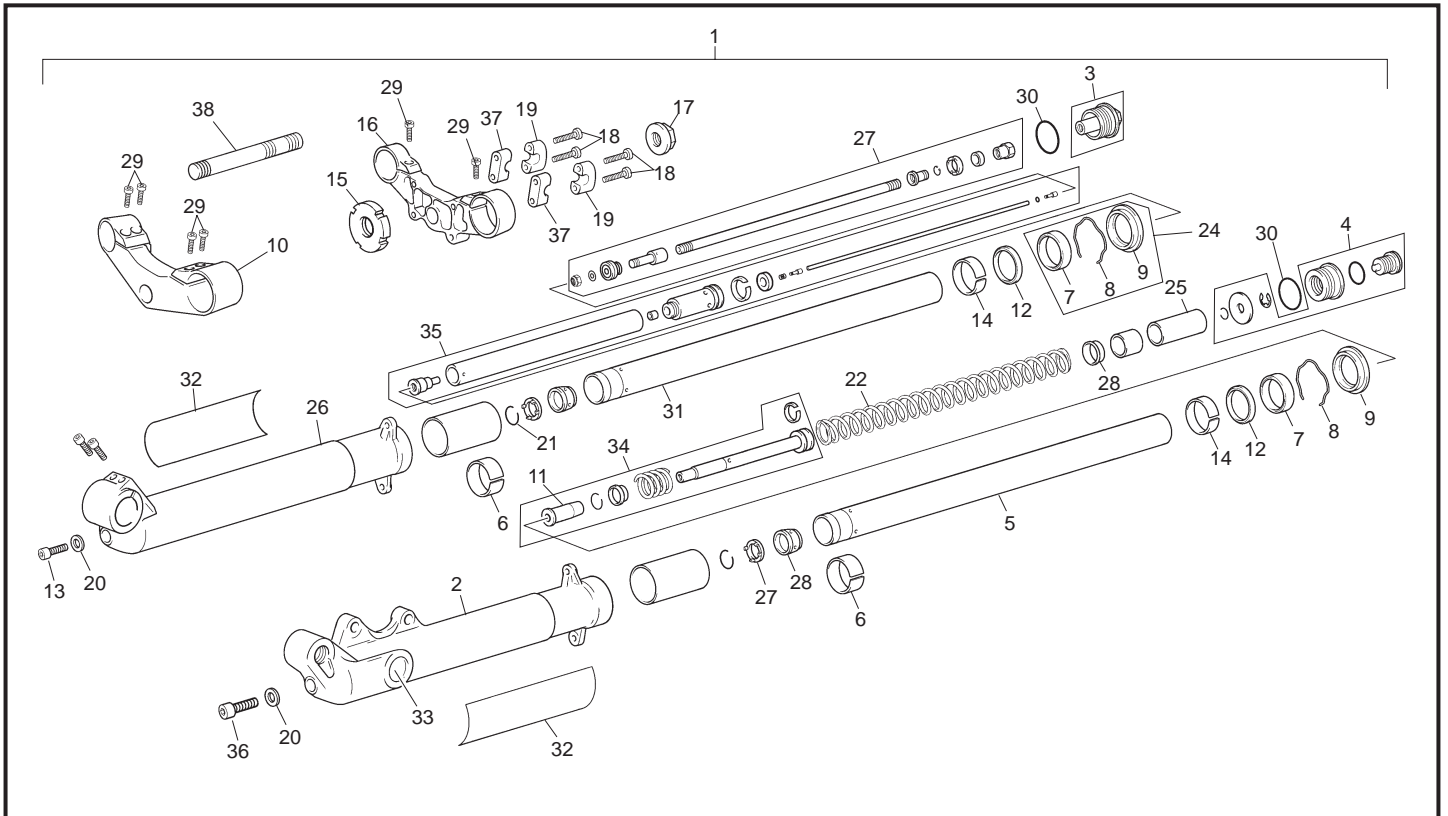
pag. 23 - 24

Cadre / Frame / Chasis



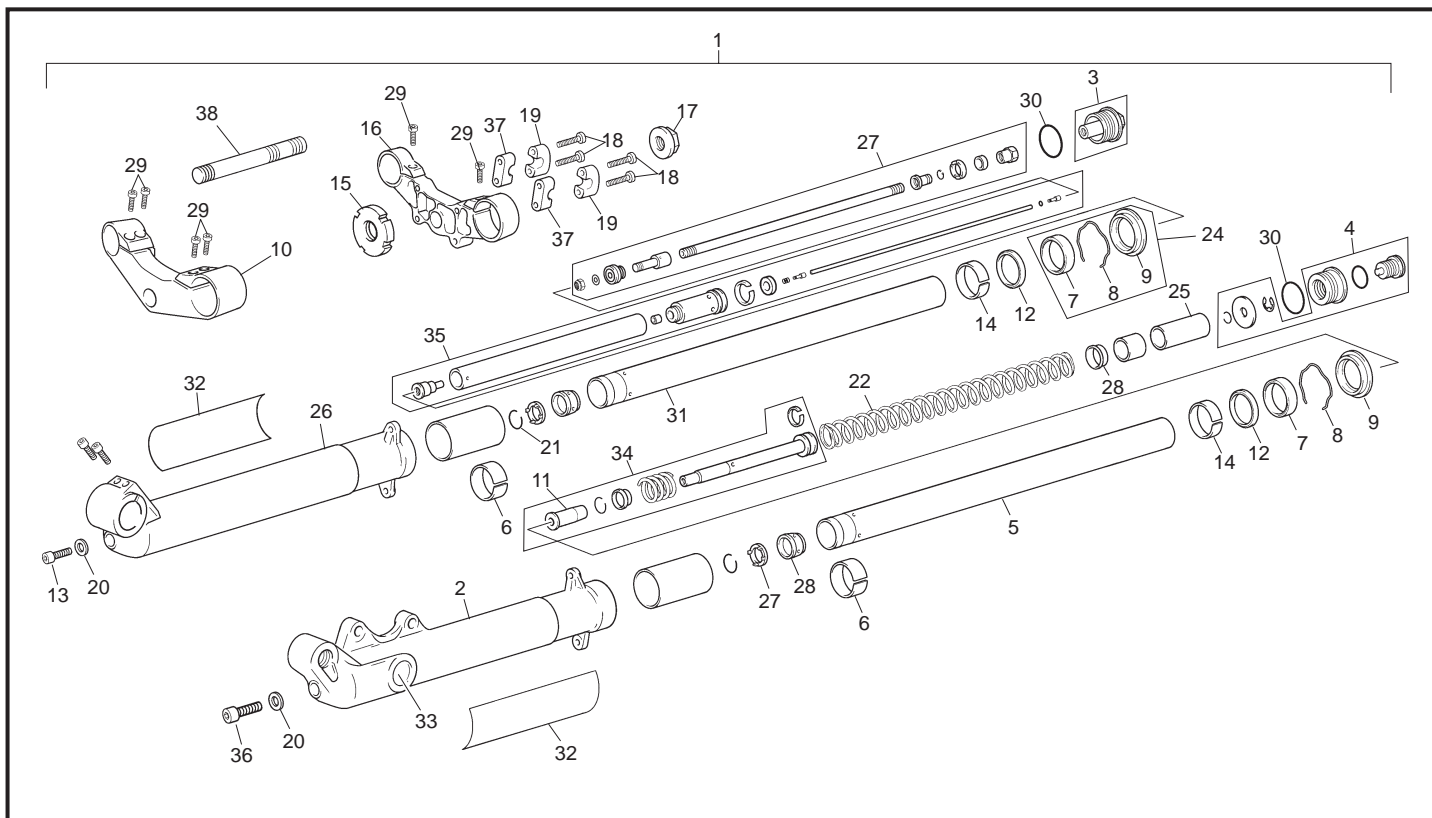
| POS. | 0.8 | 1.2 | 2.5 | 2.9 | FRANÇAIS | ENGLISH | ESPAÑOL |
|------|------|------|------|------|----------------------------------|---------------------------|--------------------------------|
| 1 | 1399 | 1399 | 1399 | 1399 | CADRE 2T | FRAME 2T | CHASIS 2T |
| 2 | C737 | C737 | C736 | C736 | PATE FIXATION CYLINDRE 06 | CYLINDER SUPPORT 06 | SOPORTE CILINDRO 06 |
| 3 | C003 | C003 | C003 | C003 | SABOT | BASH PLATE | PLACA MOTOR |
| 4 | C578 | C578 | C578 | C578 | CAOUTCHOUC MOTEUR | BASH PLATE RUBBER | CAUCHO PLACA MOTOR |
| 5 | C707 | C707 | C707 | C707 | REPOSE PIED DROITE | RIGHT FOOTREST | ESTRIBERA DERECHA |
| 6 | C708 | C708 | C708 | C708 | REPOSE PIED GAUCHE | LEFT FOOTREST | ESTRIBERA IZQUIERDA |
| 7 | C755 | C755 | C755 | C755 | ENTRETOISE REPOSE PIED | FOOTREST BUSHING | CASQUILLO ESTRIBERA |
| 8 | C008 | C008 | C008 | C008 | RESSORT REPOSE PIED DROITE | RIGHT FOOTPEG | MUELLE ESTRIBERA DERECHA |
| 9 | C009 | C009 | C009 | C009 | ROULEMENT COLONNE DIRECTION | STEERING BEARING | COJINETE DIRECCIÓN R32004 |
| 10 | C010 | C010 | C010 | C010 | BAGUE DE PROTEC. HAUTE PLASTIC | PLASTIC DUST COVER | GUARDA POLVO SUPERIOR PLÁSTICO |
| 11 | C011 | C011 | C011 | C011 | BAGUE DE PROTECTION BASSE | WASHER | GUARDA POLVO INFERIOR |
| 12 | C012 | C012 | C012 | C012 | RESSORT DE REPOSE PIED GAUCHE | LEFT FOOTPEG SPRING | MUELLE ESTRIBERA IZQUIERDA |
| 13 | M296 | M296 | M296 | M296 | AXE MOTEUR AV | FRONT ENGINE BOLT | TORNILLO MOTOR |
| 14 | 1220 | 1220 | 1220 | 1220 | SHERCO RESINE | SHERCO DECAL | ADHESIVO CHASIS SHERCO GOTA |
| 15 | C709 | C709 | C709 | C709 | ADESIF PROTECTION CADRE PAIRE 06 | STICKER PROTECTOR PAIR 06 | ADHESIVO PROT. CHASIS JUEGO 06 |
| 16 | C752 | C752 | C752 | C752 | ADESIF W TRIAL TEAM 06 | W TRIAL TEAM STICKER 06 | ADHESIVO W TRIAL TEAM 06 |
| 17 | C393 | C393 | C393 | C393 | ADESIF | STICKER | ADHESIVO |
| 18 | M263 | M263 | M263 | M263 | VIS CHC 8x40 | SCREW CHC 8x40 | TORNILLO M8X40 DIN 912 |
| 19 | M264 | M264 | M264 | M264 | VIS CHC 8x45 | SCREW CHC 8x45 | TORNILLO M8X45 DIN 912 |
| 20 | M396 | M396 | M396 | M396 | VIS CHC 10x80 | SCREW CHC 10x80 | TORNILLO M10X80 DIN 912 |
| 21 | M301 | M301 | M301 | M301 | VIS FHC 8x20 | SCREW FHC 8x20 | TORNILLO M8X20 DIN 7991 |
| 22 | M304 | M304 | M304 | M304 | ECROU NYLSTOP M10 | NUT NYLSTOP M10 | TUERCA NYLSTOP M10 |
| 23 | M305 | M305 | M305 | M305 | ECROU NYLSTOP M8 | NUT NYLSTOP M8 | TUERCA NYLSTOP M8 |
| 24 | M308 | M308 | M308 | M308 | ECROU CLIP M6 | NUT CLIP M6 | TUERCA CLIP M6 |
| 25 | M316 | M316 | M316 | M316 | RONDILLE x 8 | WASHER x 8 | ARANDELA X 8 DIN 125 B |
| 26 | M344 | M344 | M344 | M344 | VIS CHC 8X16 TETE BASSE | SCREW M8X16 DIN 6912 | TORNILLO M8X16 DIN 6912 |
| 27 | M345 | M345 | M345 | M345 | VIS BHC 6X12 CAROSSERIE | SCREW | TORNILLO CARROCEÍA M6X12 |
| 28 | C165 | C165 | C165 | C165 | BOUCHON | CUP | TAPÓN |

Fourche / Fork / Horquilla

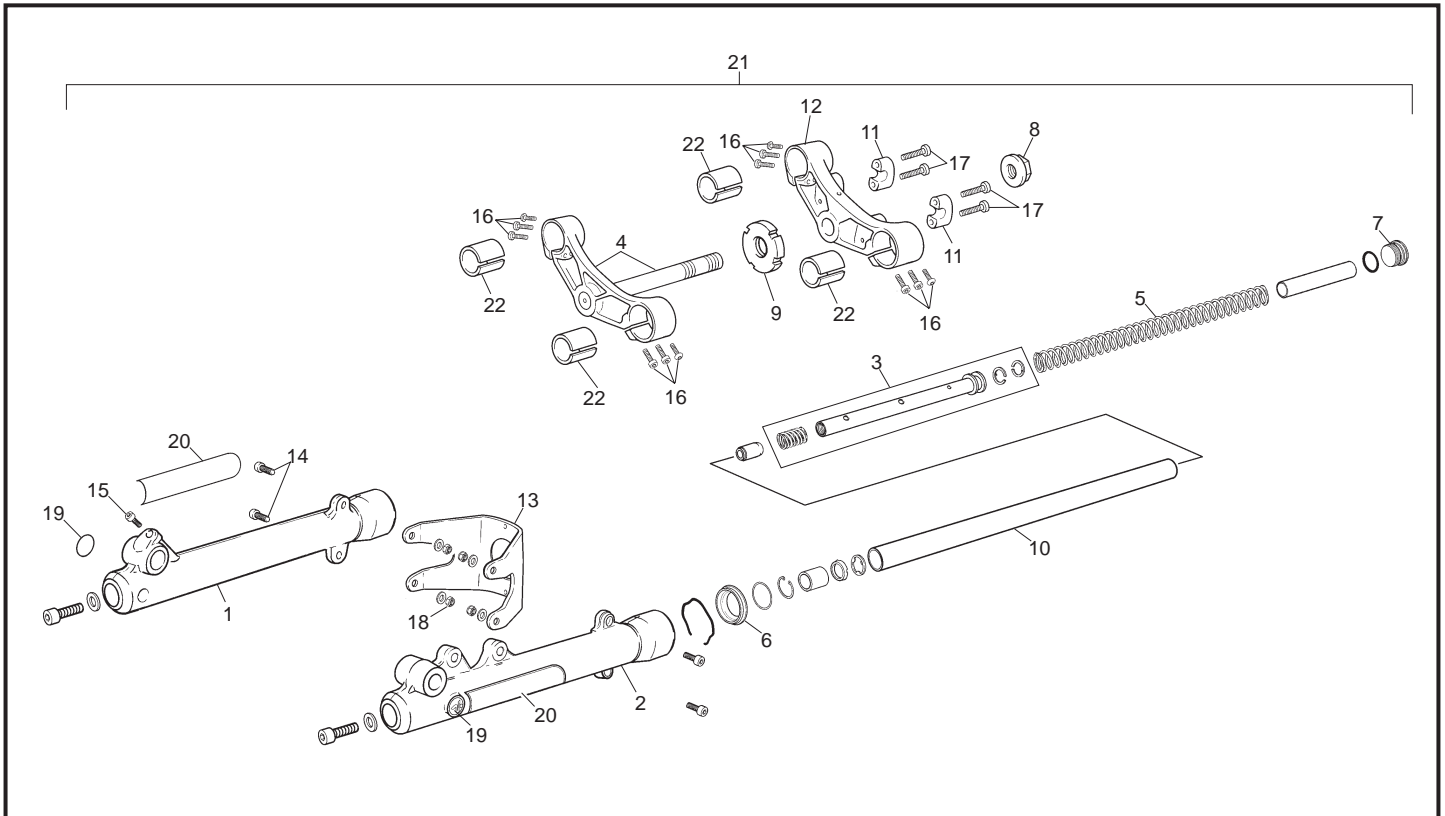


| POS. | 0.8 | 1.2 | 2.5 | 2.9 | FRANÇAIS | ENGLISH | ESPAÑOL |
|------|------|------|------|------|--------------------------------|------------------------------|----------------------------------|
| 1 | ---- | 1226 | 1226 | 1226 | FOURCHE CPL | FRONT FORK COMPLETE | SUSPENSIÓN DELANTERA COMPLETA |
| 2 | ---- | R490 | R490 | R490 | GRUPE JAMBE GAUCHE FOURCHE | FORK LEG (LEFT) | BOTELLA IZQUIERDA |
| 3 | ---- | 1058 | 1058 | 1058 | BOUCHON DROITE | FORK CAP RIGTH | TAPÓN DERECHO |
| 4 | ---- | 1057 | 1057 | 1057 | BOUCHON GAUCHE | FORK LEFT | TAPÓN IZQUIERDO |
| 5 | ---- | 1056 | 1056 | 1056 | TUBE FOURCHE GAUCHE | FORK TUBE LEFT | BARRA IZQUIERDO |
| 6 | ---- | R134 | R134 | R134 | ENTRETOISE DU | SPACER | CASQUILLO DU |
| 7 | ---- | R070 | R070 | R070 | JOINT SPIE DE FOURCHE | FORK OIL SEAL | RETÉN |
| 8 | ---- | R113 | R113 | R113 | CIRCLIP JOINT SPIE | CIRCLIP OIL SEAL | CIRCLIP RETÉN |
| 9 | ---- | R096 | R096 | R096 | PARE POUSSIERE FOURCHE | DUST SEAL | GUARDAPOLVO |
| 10 | ---- | 1397 | 1397 | 1397 | GRUPE T DE FOURCHE INFERIEUR | BOTTOM PLATE BLACK | PLATINA INF. NEGRA |
| 11 | ---- | R223 | R223 | R223 | CONE | CONE | CONO |
| 12 | ---- | R131 | R131 | R131 | RONDELLE APUIE | WASHER FORK | ARANDELA APOYO |
| 13 | ---- | R224 | R224 | R224 | VIS CHC 10X30 FOURCHE | BOLT M10X30 | TORNILLO M10X30 D.912 |
| 14 | ---- | R133 | R133 | R133 | DU JAMBE 2000 | SPACER | CASQUILLO DU BOTELLA |
| 15 | ---- | 1170 | 1170 | 1170 | RONDELLE ECROU AXE DIRECTION | RING NUT | TUERCA DIRECCIÓN |
| 16 | ---- | 1398 | 1398 | 1398 | FOURCHE SUPERIEUR NOIRE | UPPER PLATE BLACK | PLATINA SUPERIOR NEGRA |
| 17 | ---- | R108 | R108 | R108 | ECROU SUPERIEUR | NUT | TUERCA SUPERIOR |
| 18 | ---- | 1237 | 1237 | 1237 | VIS CHC M8X35 | BOLT M8X35 | TORN. ALLEN M8X35 D.912 |
| 19 | ---- | 1395 | 1395 | 1395 | BRIDE GUIDON SUPERIEURE 07 | TOP BAR U-CLAMP 07 BLACK | BRIDA SUPERIOR MANILLAR 07 NEGRA |
| 20 | ---- | R226 | R226 | R226 | RONDELLE 10X17X1,5 FURCHE 2001 | WASHER 10X17X1,5 | ARANDELA 10X17X1.5 |
| 21 | ---- | R227 | R227 | R227 | ANEAU ELASTIQUE | NUT | ANILLO ELÁSTICO |
| 22 | ---- | 1063 | 1063 | 1063 | RESSORT FOURCHE | SPRING | MUELLE |
| 23 | ---- | R111 | R111 | R111 | ENTRETOISE RESSORT FOURCHE | TOP BUSHING | TOPE MUELLE |
| 24 | ---- | R071 | R071 | R071 | GRUPE GARNITURE FOURCHE COMP. | FORK BUSHING AND SEAL KIT | KIT REPARACIÓN RETÉN |
| 25 | ---- | R132 | R132 | R132 | ENTRETOISE DU | SPACER | SEPARADOR DU |
| 26 | ---- | R491 | R491 | R491 | GRUPE JAMBE DROITE FOURCHE | FORK LEG (RIGHT) | BOTELLA DERECHA |
| 27 | ---- | R228 | R228 | R228 | VALVE DE COMPRESSION | PLASTIC COMPRESSION VALVE | VÁLVULA DE COMPR. |
| 28 | ---- | R135 | R135 | R135 | RONDELLE APPUI RESSORT 2000 | SPRING COLLAR | APOYO MUELLE |
| 29 | ---- | M261 | M261 | M261 | VIS CHC 8X20 | SCREW CHC 8X20 | TORNILLO 8X20 ALLEN |
| 30 | ---- | R230 | R230 | R230 | TORIQUE FOURCHE | ORING | TÓRICA CIERRE |
| 31 | ---- | 1060 | 1060 | 1060 | TUBE DROITE NOIRE | FORCK TUBE RIGHT | TUBO DRE. NEGRO |
| 32 | ---- | 1501 | 1501 | 1501 | ADHESIF FOURCHE CERIANI 08 | STICKER LEFT FORK CERIANI 08 | ADHESIVO HORQUILLA CERIANI 08 |
| 33 | ---- | 1589 | 1589 | 1589 | ADHESIF LOGO CERIANI | CERIANI LOGO STICKER | ADHESIVO LOGO CERIANI |
| 34 | ---- | 1055 | 1055 | 1055 | GRUPE POMPE | GROUP POMP | GRUPO BOMBA |

Fourche / Fork / Horquilla

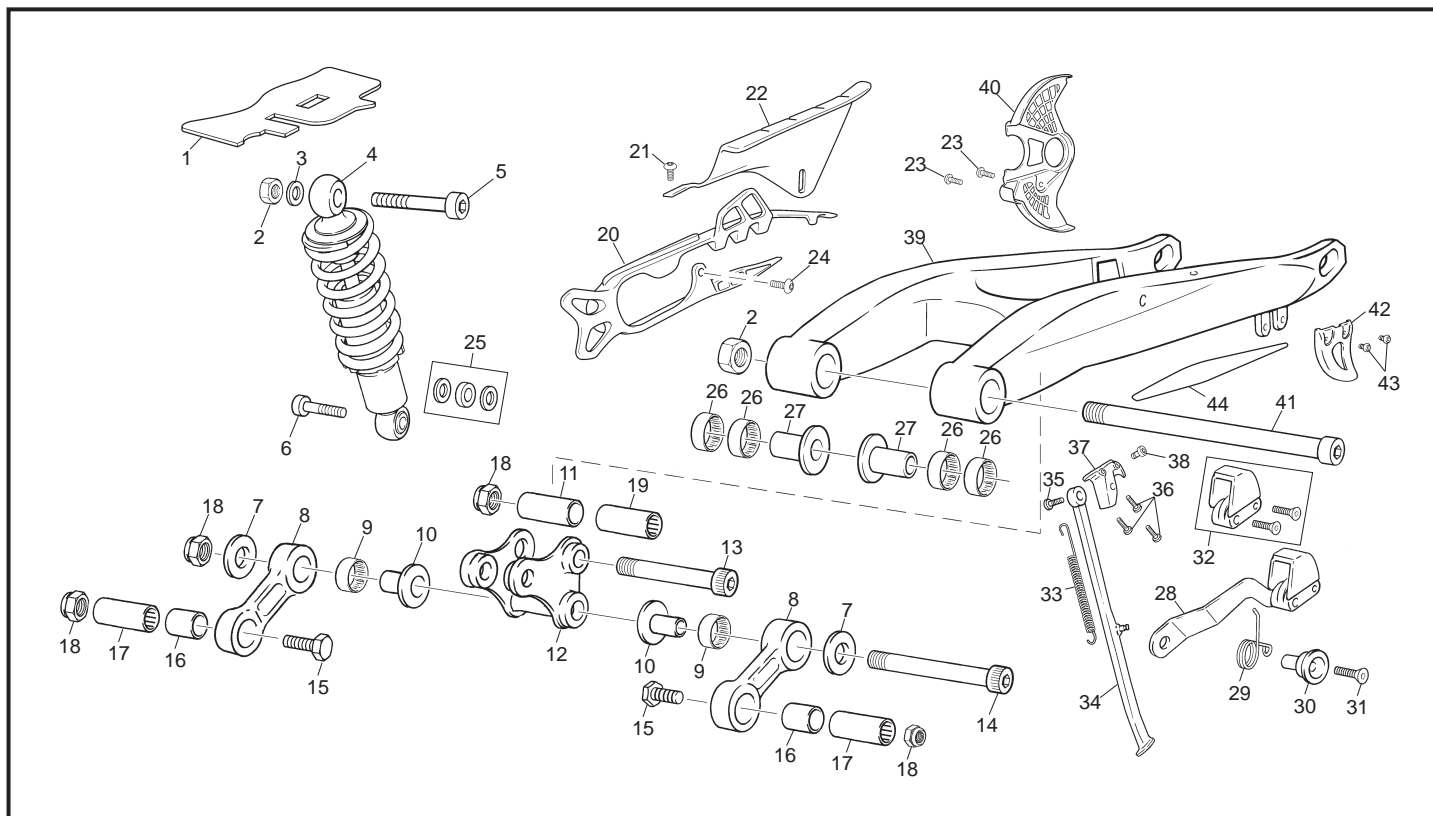


| POS. | 0.8 | 1.2 | 2.5 | 2.9 | FRANÇAIS | ENGLISH | ESPAÑOL |
|------|------|------|------|------|--------------------------------|---------------------------------|--------------------------------|
| 35 | ---- | 1059 | 1059 | 1059 | GRUPE CARTOUCHE | PLUNGER ASSEMBLY | CONJ. BOMBEO |
| 36 | ---- | C465 | C465 | C465 | VIS 10X30 FILETE INT. | SCREW | TORNILLO M10X30 CON ROSCA INT. |
| 37 | ---- | 1396 | 1396 | 1396 | BRIDE INFERIEUR TRIAL 07 NOIRE | U-CLAMP INF. HANDE BAR TRIAL 07 | BRIDA INFE. TRIAL 07 NEGRA |
| 38 | ---- | 1166 | 1166 | 1166 | AXE ALUMINIUM | ANS ALUMINIUM | EJE ALUMINIO |

Fourche 0,8 / Fork 0,8 / Horquilla 0,8


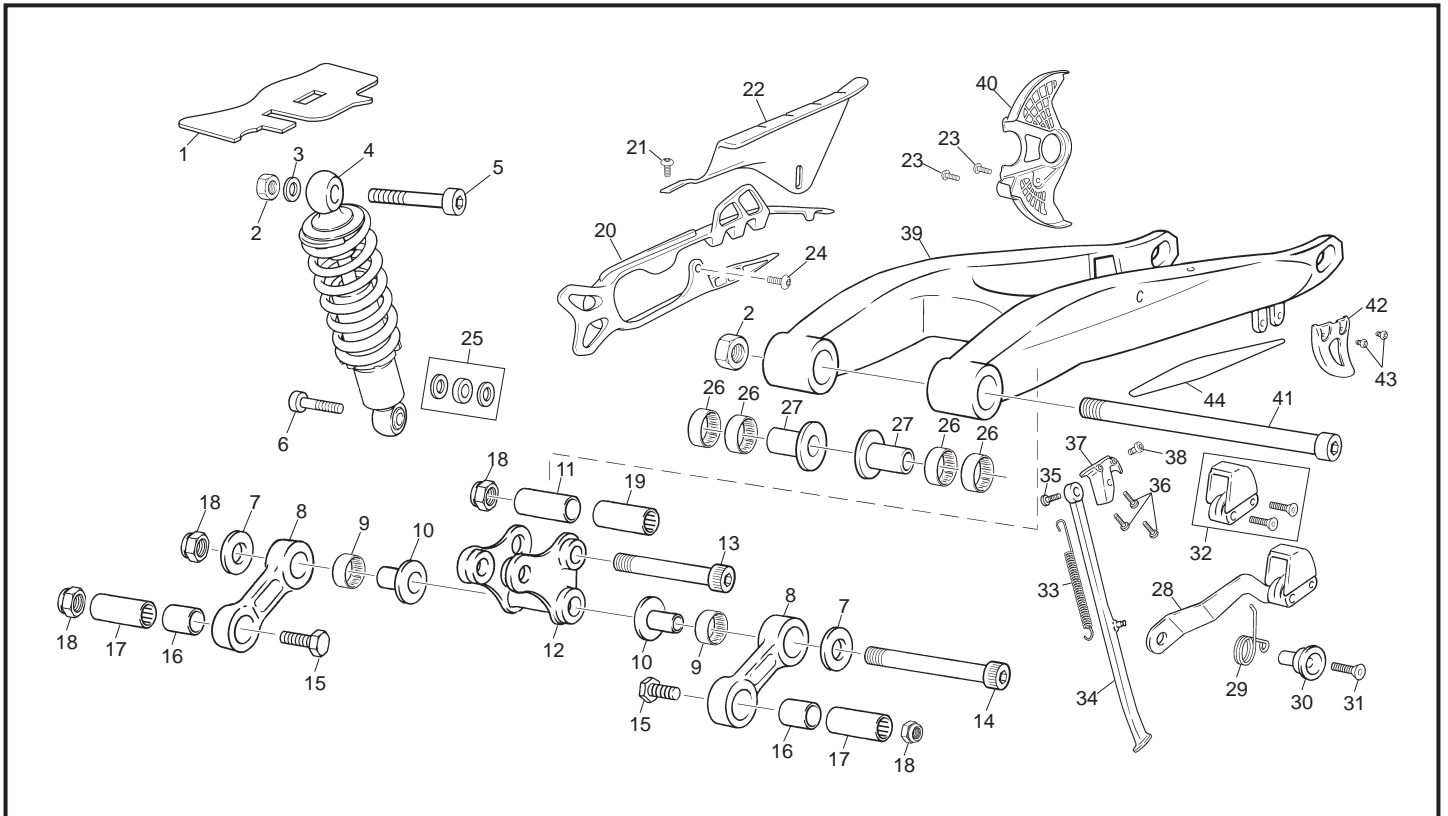
| POS. | 0.8 | 1.2 | 2.5 | 2.9 | FRANÇAIS | ENGLISH | ESPAÑOL |
|------|------|------|------|------|------------------------------------|------------------------------|-------------------------------|
| 1 | R415 | ---- | ---- | ---- | GRUPE JAMBE DROITE FOURCHE | FORK LEG (RIGHT) | CONJ. BARRA DERECHA |
| 2 | R416 | ---- | ---- | ---- | GRUPE JAMBE GAUCHE FOURCHE | FORK LEG (LEFT) | CONJ. BARRA IZQUIERDA |
| 3 | R417 | ---- | ---- | ---- | GRUPE INT. FOURCHE | FORK INT. ASSEMBLY | CONJ. INTERIOR HORQUILLA |
| 4 | R097 | ---- | ---- | ---- | GRUPE T DE INFERIEUR | BOTTOM PLATE | CONJ. PLATINA INFERIOR |
| 5 | R419 | ---- | ---- | ---- | RESSORT FOURCHE | SPRING | MUELLE HORQUILLA |
| 6 | R420 | ---- | ---- | ---- | JOINT SPIE DE FOURCHE | FORK OIL SEAL | RETÉN HORQUILLA |
| 7 | R421 | ---- | ---- | ---- | BOUCHON FOURCHE | FORK CAP | TAPÓN HORQUILLA |
| 8 | R108 | ---- | ---- | ---- | RONDELLE ECROU AXE DIRECTION | RING NUT | TUERCA PIPA DIRECCIÓN |
| 9 | R110 | ---- | ---- | ---- | RONDELLE ECROU AXE DIRECTION AW | RING NUT AW | TUERCA AW DIRECCIÓN |
| 10 | R424 | ---- | ---- | ---- | TUBE FOURCHE G-D | FORK HOSE | TUBO HORQUILLA |
| 11 | R109 | ---- | ---- | ---- | BRIDE GUIDON SUPERIEUR | TOP BAR U-CLAMP | BRIDA MANILLAR |
| 12 | R107 | ---- | ---- | ---- | T DE FOURCHE SUPERIEUR | FORK UPPER PLATE | PLATINA SUP. HORQUILLA |
| 13 | C696 | ---- | ---- | ---- | ARCEAU FOURCHE | FORK BUND | PUENTE HORQUILLA |
| 14 | M251 | ---- | ---- | ---- | VIS CHC 6x16 | SCREW CHC 6x16 | TORNILLO 6x16 |
| 15 | M255 | ---- | ---- | ---- | VIS CHC 6x30 | SCREW CHC 6x30 | TORNILLO 6x30 |
| 16 | R229 | ---- | ---- | ---- | VIS CHC 8x35 | SCREW CHC 8x35 | TORNILLO 8x35 |
| 17 | R225 | ---- | ---- | ---- | VIS CHC 8x40 | SCREW CHC 8x40 | TORNILLO 8x40 |
| 18 | M309 | ---- | ---- | ---- | ECROU M-6 | NUT M-6 | TUERCA M-6 |
| 19 | 1589 | ---- | ---- | ---- | ADHESIF LOGO CERIANI | CERIANI LOGO STICKER | ADHESIVO LOGO CERIANI |
| 20 | 1501 | ---- | ---- | ---- | ADHESIF FOURCHE CERIANI 08 | STICKER LEFT FORK CERIANI 08 | ADHESIVO HORQUILLA CERIANI 08 |
| 21 | C465 | ---- | ---- | ---- | FOURCHE COMPLETE 0.8 | FRONT FORK COMPLETE | HORQUILLA COMP. 0.8 |
| 22 | 1238 | ---- | ---- | ---- | ENTRETOISE GROUPE T DE FOU. 80 cc. | SPACER SUSPENSION 80 cc. | CASQUILLO TRIAL 80 cc. |

Amortisseur - Bras oscillant / Rear Shock - Swingarm / Amortiguador - Basculante

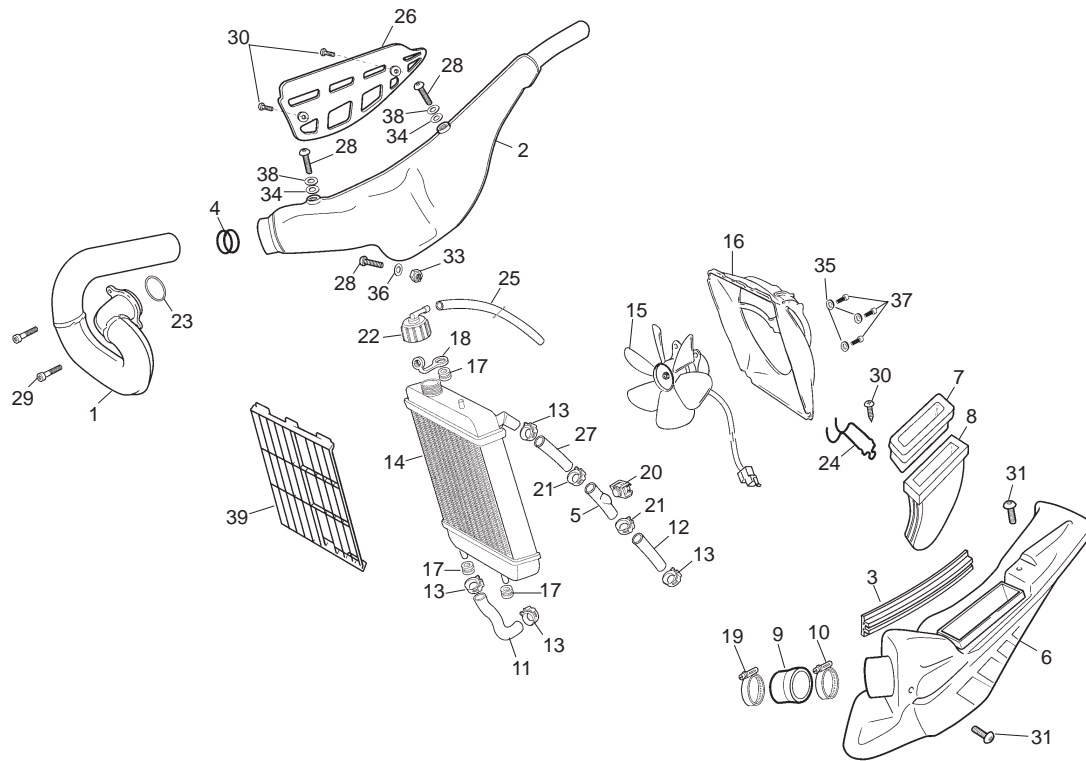


| POS. | 0.8 | 1.2 | 2.5 | 2.9 | FRANÇAIS | ENGLISH | ESPAÑOL |
|------|------|------|------|------|-------------------------------------|-----------------------------------|---------------------------------|
| 1 | C686 | C686 | C686 | C686 | PROTECTEUR AMORTISSEUR | PROTECTOR | PROTECTOR AMORTIGUADOR |
| 2 | M304 | M304 | M304 | M304 | ECROU NYLSTOP M10 | NUT NYLSTOP M10 | TUERCA NYLSTOP M10 |
| 3 | M315 | M315 | M315 | M315 | RONDELLE X 10 1405 010 | WASHER X 10 | ARANDELA X 10 DIN 125 A |
| 4 | 1522 | 1522 | 1522 | 1522 | AMORTISSEUR TRIAL 08 | REAR SHORK TRIAL 08 | AMORTIGUADOR TRIAL 08 |
| 5 | M259 | M259 | M259 | M259 | VIS CHC 10 X 50 0084 | SCREW CHC 10 X 50 | TORNILLO 10 X 50 ALLEN |
| 6 | C173 | C173 | C173 | C173 | AXE 10 X 42 | PIN 10 X 42 | EJE 10 X 42 |
| 7 | M320 | M320 | M320 | M320 | RONDELLE 10 X 30 X 2.5 0416 | WASHER 10 X 30 X 2.5 | ARANDELA 10 X 30 X 2,5 DIN 9021 |
| 8 | C157 | C157 | C157 | C157 | BIELETTE TIRANT SIMPLE | REAR SUSPENSION LINK | BIELETA SUSPENSIÓN |
| 9 | C168 | C168 | C168 | C168 | DOUILLE AIGUILLE TIRANT HK16162 RS | DOUILLE AIGUILLE TIRANT HK16162RS | CAS. AGUJAS BIELETA HK16162RS |
| 10 | C171 | C171 | C171 | C171 | ENTRETOISE ARTICULATION BRAS | SPACER SWING ARM | CASQUILLO EJE BASCULANTE |
| 11 | C152 | C152 | C152 | C152 | ENTRETOISE SUSPENSION | SPACER SUSPENSION | CASQUILLO SUSPENSIÓN |
| 12 | C729 | C729 | C729 | C729 | BIELETTE DELTA 2004 | REAR SUSPENSION DELTA LINK 2004 | TRAPECIO SUSPENSIÓN 2004 |
| 13 | C174 | C174 | C174 | C174 | AXE 10 X 72 | PIN 10 X 72 | EJE 10 X 72 |
| 14 | C172 | C172 | C172 | C172 | AXE 10 X 1250 | PIN 10 X 120 | EJE 10 X 120 |
| 15 | C175 | C175 | C175 | C175 | VIS HEXA TETE BASSE | SPECIAL HEAD SCREW HEX | TORNILLO HEX C/REBAJADA |
| 16 | C170 | C170 | C170 | C170 | ENTRETOISE TIRANT | LINK SPACER | CASQUILLO BIELETA |
| 17 | C169 | C169 | C169 | C169 | DOUILLE AIGUILLE TIRANT HK14162 RS | BEARING HK14162RS | CAS. AGUJAS BIELETA HK14162RS. |
| 18 | M305 | M305 | M305 | M305 | ECROU NYLSTOP M8 0368.8 | NUT NYLSTOP M8 | TUERCA NYLSTOP M8 |
| 19 | C167 | C167 | C167 | C167 | DOU. AIGUI. BRAS/ SUSP HK16X20X2RS | BEARING HK 16202RS | CAS. AGUJAS BAS/SUSP HK16202RS |
| 20 | 1207 | 1207 | 1207 | 1207 | PATIN DE CHAINE | CHAIN GUIDE PLATE | PATÍN CADENA |
| 21 | M258 | M258 | M258 | M258 | VIS BHC 5 X16 1093 | SCREW BHC 5X16 | TORNILLO 5X16 ULS |
| 22 | 1208 | 1208 | 1208 | 1208 | CARTER DE CHAINE | CHAIN PROTECTOR | CUBRECADENAS |
| 23 | M282 | M282 | M282 | M282 | VIS BHC 6X10 | SCREW BHC 6X10 | TORNILLO 6X10 ULS |
| 24 | M278 | M278 | M278 | M278 | VIS BHC 5X10 | SCREW BHC 5X10 | TORNILLO BHC 5X10 |
| 25 | 1118 | 1118 | 1118 | 1118 | KIT ROTULE 06 | KIT | KIT ROTULA 06 |
| 26 | C151 | C151 | C151 | C151 | DOUILLE AIGUILLE BRAS HK 20X20X2 RS | BEARING HK 20X20X2RS | CAS. AGUJAS BASCU. HK 20X20X2RS |
| 27 | C153 | C153 | C153 | C153 | ENTRETOISE ARTICULATION BRAS | SPACER SWING ARM | CASQUILLO EJE BASCULANTE |
| 28 | C164 | C164 | C164 | C164 | TENDEUR DE CHAINE | CHAIN TENSIONER | TENSOR CADENA |
| 29 | R205 | R205 | R205 | R205 | RESSORT TENDEUR DE CHAINE | SPRING CHAIN TENSIONER | MUELLE TENSOR CADENA |
| 30 | R206 | R206 | R206 | R206 | ENTRETOISE TENDEUR DE CHAINE | SPECER CHAIN ADJUST | CASQUILLO TENSOR CADENA |
| 31 | M300 | M300 | M300 | M300 | VIS FHC 8 X 35 1089 | SCREW FHC 8 X 35 | TORNILLO AVELLANADO M8 X 35 |
| 32 | R047 | R047 | R047 | R047 | CAOUTCHOUC TENDEUR SEUL | CHAIN STRETCHER PLATE | GOMA TENSOR CADENA |
| 33 | C161 | C161 | C161 | C161 | RESSORT DE BEQUILLE | SIDE STAND SPRING | MUELLE CABALLETE |
| 34 | 1480 | 1480 | 1480 | 1480 | BEQUILLE SEULE 08 | LATERAL STAND 08 | CABALLETE 08 |

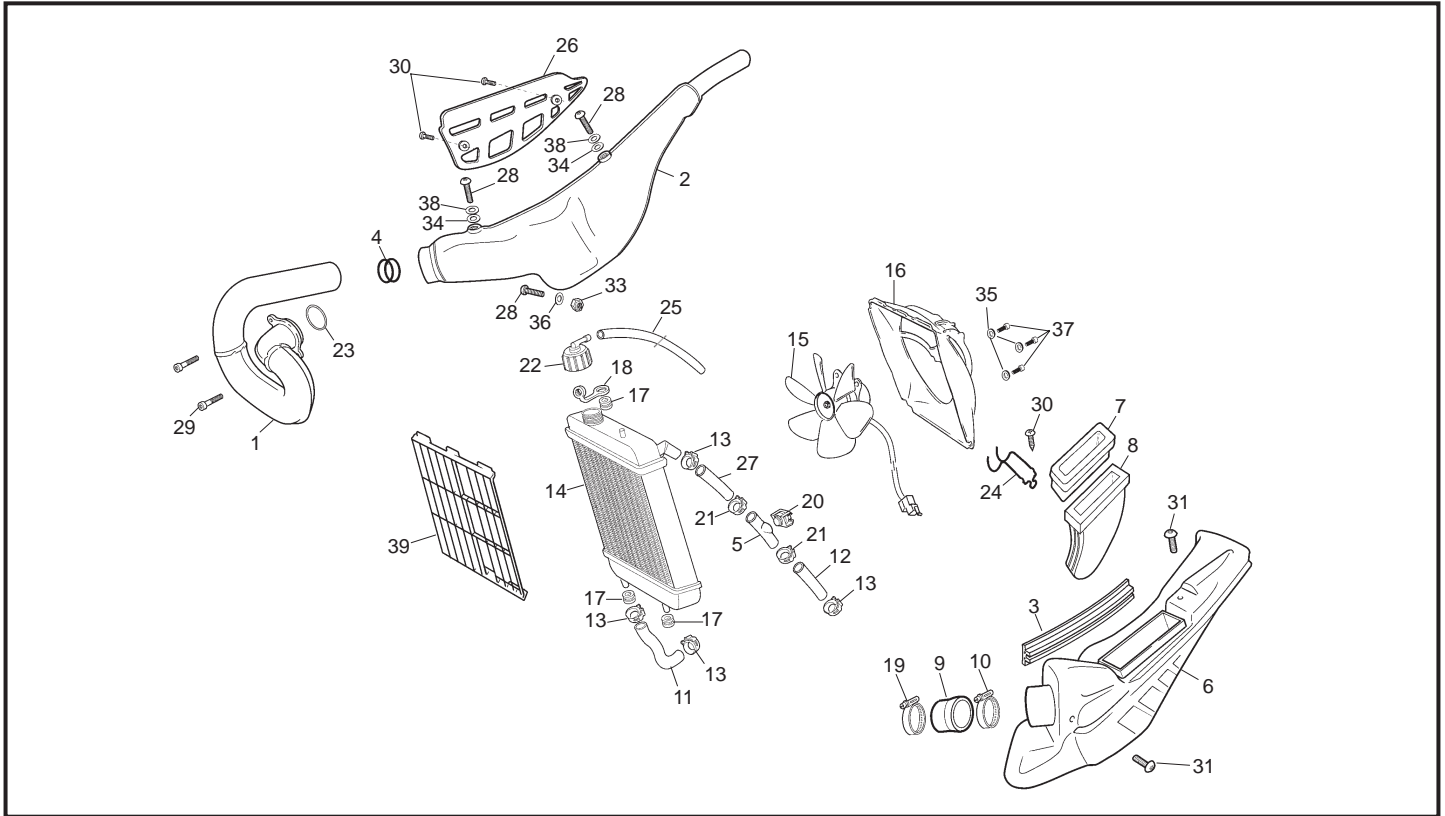
Amortisseur - Bras oscillant / Rear Shock - Swingarm / Amortiguador - Basculante



| POS. | 0.8 | 1.2 | 2.5 | 2.9 | FRANÇAIS | ENGLISH | ESPAÑOL |
|------|------|------|------|------|-----------------------|-------------------------|-----------------------------|
| 35 | M281 | M281 | M281 | M281 | VIS BHC 8 X 12 1093 | SCREW BHC 8 X 12 | TORNILLO M8 X 12 ULS |
| 36 | M261 | M261 | M261 | M261 | VIS CHC 8 X 20 0084 | SCREW CHC 8 X 20 | TORNILLO 8 X 20 ALLEN |
| 37 | S132 | S132 | S132 | S132 | SUPPORT DE BEQUILLE | STAND HOLDER | SOPORTE CABALLETE |
| 38 | C166 | C166 | C166 | C166 | VIS SPECIALE BEQUILLE | SIDE STAND SPECIAL BOLT | TORNILLO ESPECIAL CABALLETE |
| 39 | 1093 | 1093 | 1093 | 1093 | BRAS OSCILLANT MAT 07 | SWINGARM MAT 07 | BASCULANTE MAT 07 |
| 40 | 1209 | 1209 | 1209 | 1209 | PROTECTEUR DIS ADDEPE | PROTECTOR | PROTECTOR DISCO |
| 41 | C154 | C154 | C154 | C154 | AXE BRAS OSCILLANT | ALUMINIUM SWINGARM AXL | EJE BASCULANTE ALUMINIO |
| 42 | C177 | C177 | C177 | C177 | PROTECTEUR COURRONE | PROTECTEUR SPROKET | PROTECTOR CORONA |
| 43 | M278 | M278 | M278 | M278 | VIS BHC 5 X10 1093 | SCREW BHC 5X10 | TORNILLO 5X10 ULS |
| 44 | 1502 | 1502 | 1502 | 1502 | ADHESIF BRAS 08 | SWINGARM STICKER 08 | ADHESIVO BASCULANTE 08 |

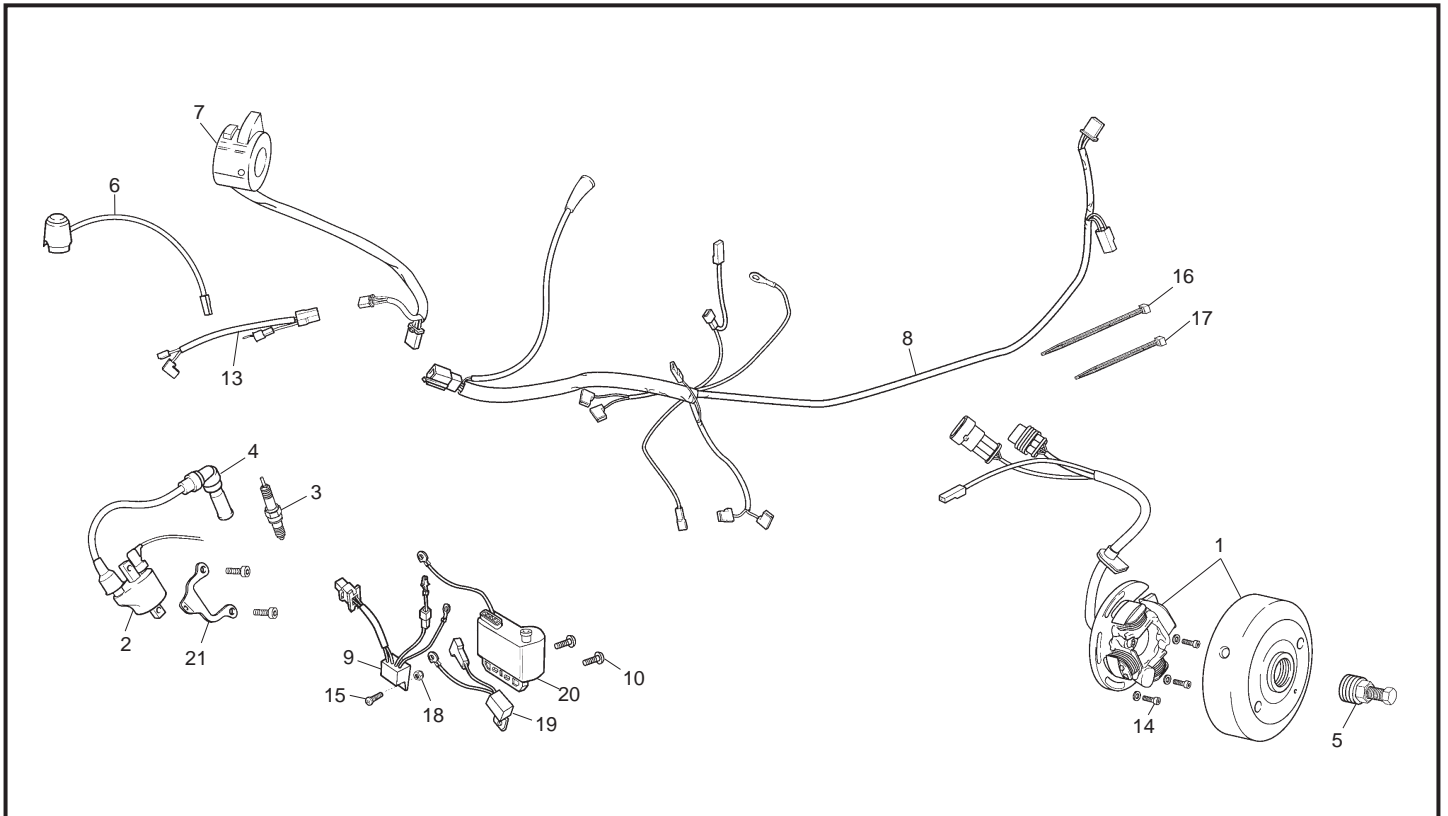
Radiateur / Radiator / Radiador


| POS. | 0.8 | 1.2 | 2.5 | 2.9 | FRANÇAIS | ENGLISH | ESPAÑOL |
|------|------|------|------|------|-----------------------------------|--------------------------------|-----------------------------------|
| 1 | C734 | C734 | C722 | C080 | GTUBE ECHAPPEMENT | EXHAUST PIPE | CURVA DE ESCAPE |
| 2 | C384 | C384 | C384 | C384 | POT CENTRAL | MIDDLE SILENCER | SILENCIADOR CENTRAL |
| 3 | C303 | C303 | C303 | C303 | CAOUTCHOUC FILTRE-POT | FITTING RUBBER | ESPUMA FILTRO ESCAPE |
| 4 | C104 | C104 | C104 | C104 | JOINT TORIQUE POT CENTRAL 44x3.5 | O-RING MIDDLE SILENCER | JUNTA TÓRICA SILEN.CENTRAL 44X3,5 |
| 5 | C126 | C126 | C126 | C126 | SUPPORT DE THERMOCONTACT | THERMOSTAT SUPPORT T-PIECE | SOPORTE TERMOSTATO |
| 6 | C725 | C725 | C725 | C725 | BOITIER FILTRE AIR | AIR FILTER BOX | CAJA FILTRO |
| 7 | C107 | C107 | C107 | C107 | COUVERCLE FILTRE AIR | AIR FILTER BOX COVER | TAPA FILTRO |
| 8 | C108 | C108 | C108 | C108 | MOUSSE DE FILTRE | AIR FILTER ELEMENT | ESPUMA DE FILTRO |
| 9 | M224 | M224 | M224 | M224 | RACCORD FILTRE CARBURETEUR | MANIFOLD FILTER/ CARBURETOR | TOBERA FILTRO/CARBURADOR |
| 10 | C110 | C110 | C110 | C110 | COLLIER NORMA 32/50 | HOSE CLAMP | ABRAZADERA NORMA 32/50 |
| 11 | C757 | C757 | C757 | C757 | DURITE POMPE EAU RADIATEUR 06 | RU. HOSE WATERPUMP/RADIATOR 06 | TUBO GOMA BOMBA/RADIADOR 06 |
| 12 | C130 | C130 | C130 | C130 | DURITE CULASSE RADIATEUR | RUBBER HOSE RADIATOR | TUBO GOMA CULATA RADIADOR |
| 13 | C114 | C114 | C114 | C114 | COLLIER DE DURITE NORMA VERT 21 | HOSE CLAMP | ABRAZADERA 21 VERDE |
| 14 | C703 | C703 | C703 | C703 | RADIATEUR | RADIATOR | RADIADOR |
| 15 | C313 | C313 | C313 | C313 | VENTILATEUR | FAN | VENTILADOR |
| 16 | C314 | C314 | C314 | C314 | SUPPORT DE VENTILATEUR | FAN SUPPORT | SOPORTE VENTILADOR |
| 17 | C118 | C118 | C118 | C118 | SILENT-BLOC RADIATEUR | SILENT-BLOC RADIATOR | SILENT-BLOC RADIADOR |
| 18 | C119 | C119 | C119 | C119 | PATE FIXATION RADIATEUR | HOLDER (silent bloc radiator) | SOPORTE FIJACIÓN RADIADOR |
| 19 | C120 | C120 | C120 | C120 | COLLIER NORMA 30/45 | HOSE CLAMP | ABRAZADERA NORMA 30/45 |
| 20 | C127 | C127 | C127 | C127 | SONDE THERMOSTATIQUE | THERMOSTAT | TERMOSTATO |
| 21 | C029 | C029 | C029 | C029 | COLLIER DE DURITE NORMA VIOLET 19 | HOSE CLAMP | ABRAZADERA 19 VIOLETA |
| 22 | R046 | R046 | R046 | R046 | BOUCHON DE RADIATEUR | RADIATOR CAP | TAPÓN RADIADOR |
| 23 | C122 | C122 | C122 | C122 | JOINT CUIVRE 38X44X2,5 | EXHAUST GASKET | JUNTA COBRE SALIDA CILINDRO |
| 24 | 1239 | 1239 | 1239 | 1239 | RESSORT COUVERCLE FILTRE | AIRBOX RETAINER CLIP | MUELLE TAPA FILTRO |
| 25 | C125 | C125 | C125 | C125 | DURITE RADIATEUR | RADIATOR OVERFLOW HOSE | TUBO DRENAJE RADIADOR |
| 26 | C316 | C316 | C316 | C316 | PROTECTEUR ECHAPPEMENT | EXHAUST PROTECTOR | PROTECTOR ESCAPE |
| 27 | C129 | C129 | C756 | C756 | DURITE CULASSE RADIATEUR | RUBBER HOSE RADIATOR | TUBO GOMA CULATA RADIADOR |
| 28 | M251 | M251 | M251 | M251 | VIS CHC 6X16 | SCREW CHC 6X16 | TORNILLO M6X16 DIN 912 |
| 29 | M252 | M252 | M252 | M252 | VIS CHC 6X20 | SCREW CHC 6X20 | TORNILLO M6X20 DIN 912 |
| 30 | M278 | M278 | M278 | M278 | BHC 5X10 | SCREW BHC 5X10 | TORNILLO M5X10 ULS |
| 31 | M282 | M282 | M282 | M282 | VIS BHC 6X10 | SCREW BHC 6X10 | TORNILLO M6X10 ULS |
| 32 | M283 | M283 | M283 | M283 | VIS BHC 6X16 | SCREW BHC 6X16 | TORNILLO M6X16 ULS |
| 33 | M306 | M306 | M306 | M306 | ECROU NYLSTOP M6 | NUT NYLSTOP M6 | TUERCA NYLSTOP M6 |
| 34 | M317 | M317 | M317 | M317 | RONDELLE X 6 | WASHER X 6 | ARANDELA X 6 DIN 125 B |

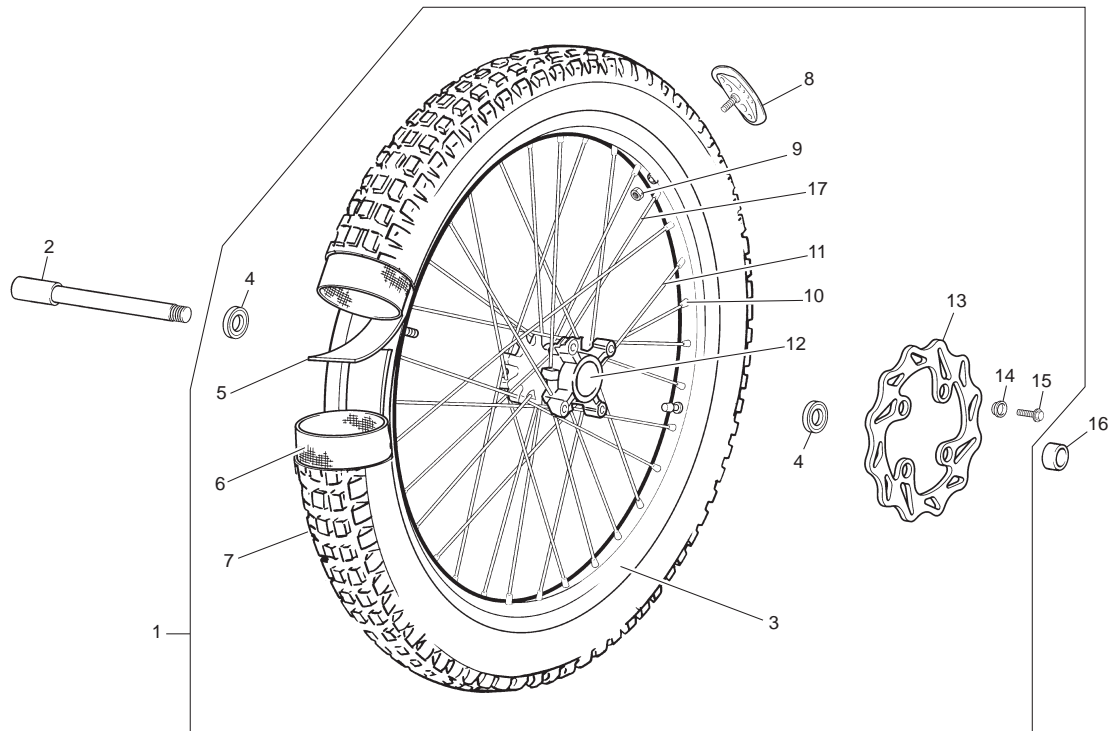
Radiateur / Radiator / Radiador


| POS. | 0.8 | 1.2 | 2.5 | 2.9 | FRANÇAIS | ENGLISH | ESPAÑOL |
|------|------|------|------|------|-------------------------------|--------------------|------------------------------|
| 35 | M318 | M318 | M318 | M318 | RONDELLE 4X12 | WASHER 4X12 | ARANDELA 4X12X1 DIN 9021 |
| 36 | M321 | M321 | M321 | M321 | RONDELLE M6X18 | WASHER 6X18 | ARANDELA M6X18 |
| 37 | C358 | C358 | C358 | C358 | VIS CHC 4X6 | SCREW CHC 4X6 | TORNILLO 4X6 DIN 912 |
| 38 | M274 | M274 | M274 | M274 | RONDELLE GROSVER X6 DIN 67985 | WASHER 6 DIN 67985 | ARANDELA DENTADA 6 DIN 67985 |
| 39 | C713 | C713 | C713 | C713 | GRILLE RADIATEUR | RADIATOR PROTECTOR | RESINA RADIADOR |

Faisceau électrique / Electrical system / Instalación eléctrica

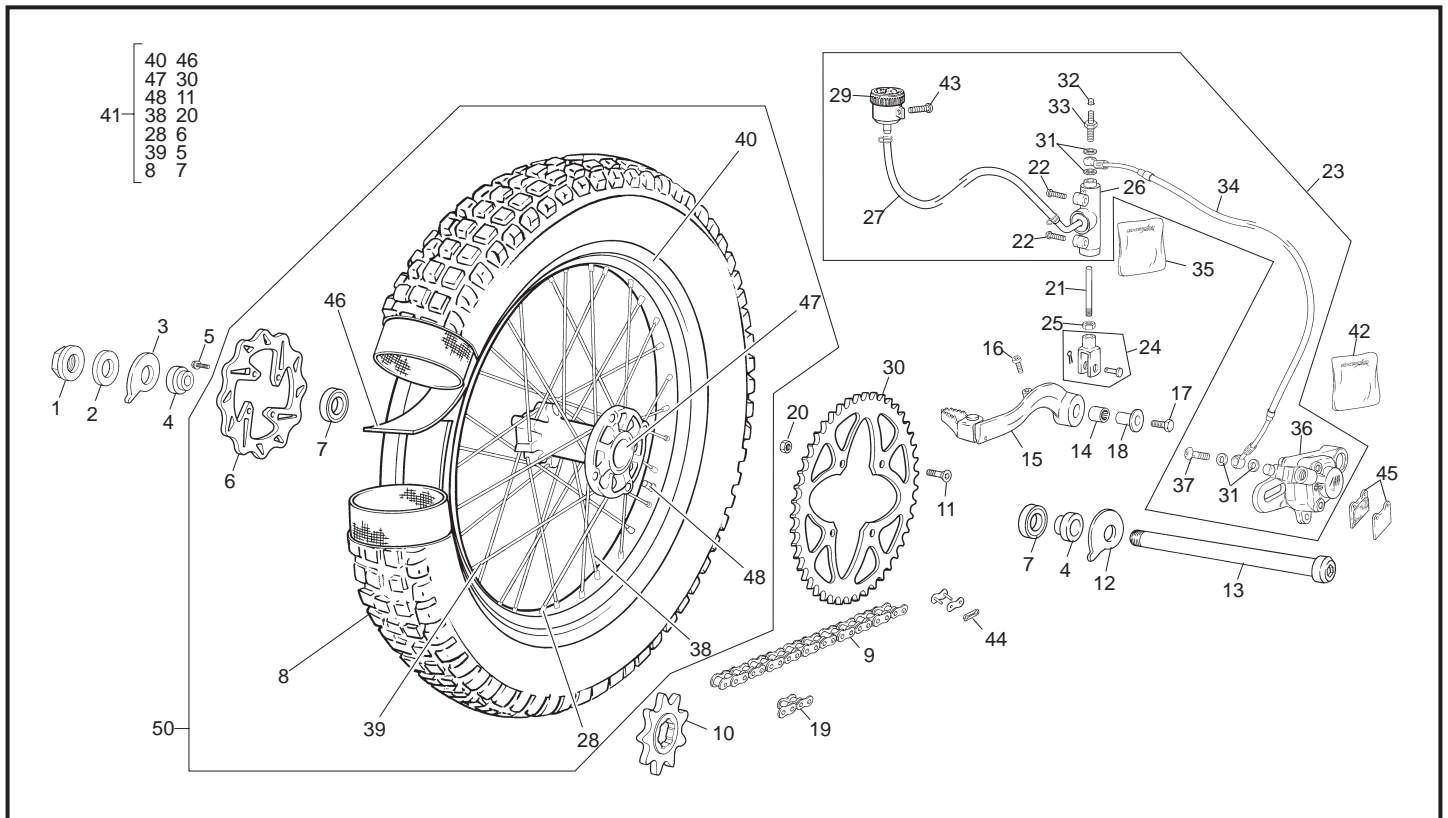


| POS. | 0.8 | 1.2 | 2.5 | 2.9 | FRANÇAIS | ENGLISH | ESPAÑOL |
|------|------|------|------|------|---------------------------------|------------------------------------|-------------------------------|
| 1 | C474 | M243 | 1321 | 1321 | ALLUMAGE CPL «LEONELLI» | IGNITION COMPLETE «LEONELLI» | ENCENDIDO COMPLETO «LEONELLI» |
| 2 | M398 | M398 | 1465 | 1465 | BOBINE KOKUSAN TRIAL 2T | ELECTRONIC BOX KOKUSAN TRIAL 2T | BOBINA KOKUSAN TRIAL 2T |
| 3 | M183 | M183 | M183 | M183 | BOUGIE | SPARK PLUG | BUJÍA |
| 4 | M184 | M184 | M184 | M184 | ANTI PARASITE | SPARK PLUG CAP | PIPA BUJÍA |
| 5 | R075 | R075 | R075 | R075 | OUTIL EXTRACTEUR ROTOR ALLUMAGE | FLYWHEEL PULLER | EXTRACTOR ENCENDIDO |
| 6 | C481 | ---- | ---- | ---- | BOUTON STOP 80 TRIAL | WIRI. HARN. ENG. STOP BUTTON 80 | BOTÓN STOP 80 TRIAL |
| 7 | ---- | C038 | C038 | C038 | COMUTATEUR ELECTRIQUE | LIGHT SWITCH ASSEMBLY | CONMUTADOR LUCES |
| 8 | ---- | C037 | C037 | C037 | FAISSEAU ELECTRIQUE | WIRING HARNESS | INSTALACIÓN ELÉCTRICA |
| 9 | C039 | C039 | C039 | C039 | DIODE REDRESSEUS | DIODE | RECTIFICADOR |
| 10 | M250 | M250 | M250 | M250 | VIS CHC 5x16 | SCREW CHC 5x16 | TORNILLO M5X16 DIN 912 |
| 11 | M273 | M273 | M273 | M273 | CAVALIER NORMA BSL1x8 | FORMED WIRE CLIP | BRIDA NORMA BSL1X8 |
| 12 | M275 | M275 | M275 | M275 | RONDELLE x 5 | WASHER x5 | ARANDELA 5 DIN125 A |
| 13 | C482 | ---- | ---- | ---- | FAISSEAU MINI 80 TRIAL | ENGINE STOP BUTTON 80 TRIAL | INSTALACIÓN REDUCIDA 80 TRIAL |
| 14 | M283 | M283 | M283 | M283 | VIS BHC 6x16 | SCREW BHC 6x16 | TORNILLO M6X16 ULS |
| 15 | M306 | M306 | M306 | M306 | ECROU NYLSTOP M6 | NUT NYLSTOP M6 | TUERCA NYLSTOP M6 |
| 16 | M330 | M330 | M330 | M330 | COLLIER 178x4.8 | ZIP TIE 178 X 4.8 | BRIDA 178X4.8 |
| 17 | M331 | M331 | M331 | M331 | COLLIER 100x2.5 | ZIP TIE 80 X 2.5 | BRIDA 100X2.5 |
| 18 | M274 | M274 | M274 | M274 | RONDELLE GROSVER X6 DIN 67985 | WASHER 6 DIN 67985 | ARANDELA DENTADA 6 DIN 67985 |
| 19 | M182 | M182 | M182 | M182 | REGULATEUR | REGULATOR | REGULADOR |
| 20 | ---- | ---- | 1464 | 1464 | CDI MOTEUR TRIAL DOU. COURBE 2T | CDI BOX ENGINE TRIAL DOUBLE | CDI TRIAL DOBLE CURVA 2T |
| 21 | ---- | ---- | 1417 | 1417 | SUPPORT DE BOBINE KOKUSAN 2T | HOLDER (ELECTRONIC BOX) KOKUSAN 2T | SOPORTE BOBINA KOKUSAN 2T |

Roue avant / Front wheel / Rueda delantera


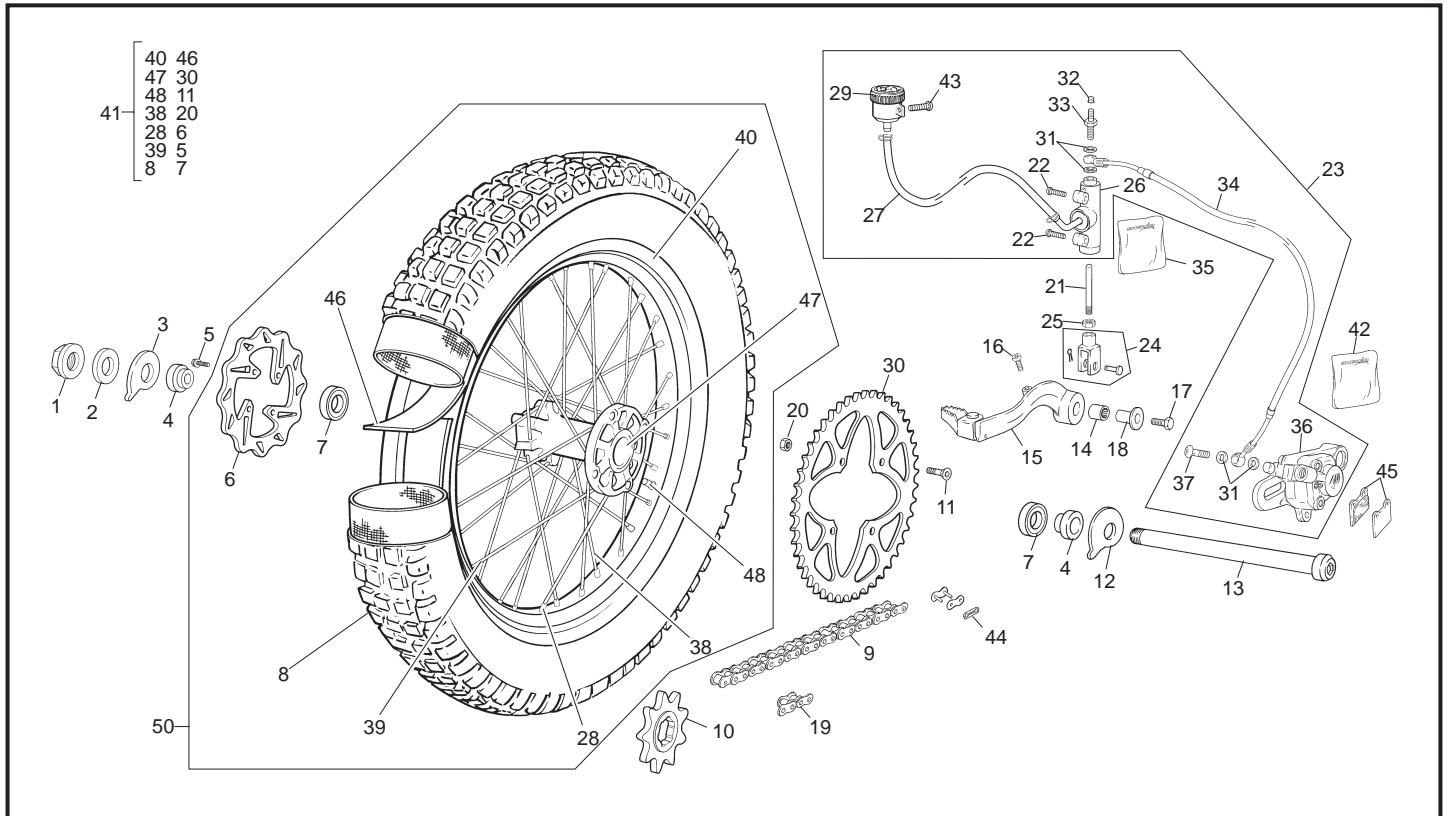
| POS. | 0.8 | 1.2 | 2.5 | 2.9 | FRANÇAIS | ENGLISH | ESPAÑOL |
|------|------|------|------|------|-------------------------------|----------------------------|-------------------------------|
| 1 | C732 | 1169 | 1169 | 1169 | ROUE AVANT 06 CABES | FRONT WHEEL 06 CABES | RUEDA DELANTERA 06 CABES |
| 2 | C205 | C205 | C205 | C205 | AXE DE ROUE AVANT | FRONT WHEEL AXLE | EJE RUEDA DELANTERA |
| 3 | C759 | C759 | C759 | C759 | JANTE AVANT RAYONS NOIR | FRONT RIM BLACK | LLANTA DELANTE NEGRA |
| 4 | R049 | R049 | R049 | R049 | ROULEMENT DE MOYEU 6004 2RS | BEARING HUB 6004 2RS | RODAMIENTO BUJE 6004 2RS |
| 5 | C201 | C201 | C201 | C201 | RUBAN FOND DE JANTE R14025 | RIM RUBBER PROTECTION | GOMA PROTECCIÓN LLANTA |
| 6 | C202 | C202 | C202 | C202 | CHAMBRE A AIR 21AB | 21 TUBE | CAMARA 21 |
| 7 | C204 | C204 | C204 | C204 | PNEU AVANT 2,75X21 | FRONT TIRE 2,75 X 21 | NEUMÁTICO DELANTERO 2,75 X 21 |
| 8 | C203 | C203 | C203 | C203 | GRISTER | TYRE STAY | AGARRACUBIERTAS |
| 9 | M305 | M305 | M305 | M305 | ECROU NYLSTOP M8 0368.8 | NUT NYLSTOP M8 | TUERCA NYLSTOP M8 |
| 10 | R048 | R048 | R048 | R048 | ECROU DE RAYON AVANT | FRONT NEEPLE SPOCKE | TUERCA RADIO DELANTERO |
| 11 | C381 | C381 | C381 | C381 | RAYON AVANT | FRONT SPOCKE | RADIO DELANTERO |
| 12 | C320 | C320 | C320 | C320 | MOYEU AVANT | FRONT HUB | BUJE DELANTERO |
| 13 | C466 | 1064 | 1064 | 1064 | DISQUE FREIN AVANT WAVE TRIAL | FRONT DISC WAVE TRIAL | DISCO DELANTERO WAVE TRIAL |
| 14 | C209 | C209 | C209 | C209 | ENTRETOISE DISQUE AVANT | SPACER DISC | CASQUILLO FLOTANTE DISCO |
| 15 | C452 | C452 | C452 | C452 | VIS HEXAGONAL EPAULE M6 X 18 | SCREW EXAGONAL M6 X 18 | TORNILLO HEXA. M6 X 18 |
| 16 | C333 | ---- | ---- | ---- | ENTRETOISE ROUE AVANT | FRONT BRUSH | SEPARADOR EJE RUEDA DELANTERA |
| 17 | C382 | C382 | C382 | C382 | RAYON AV ROUE 32 R L256 | FRONT SPOKE WEEL 32 R L256 | RADIO DEL RUEDA 32 R L256 |

Roue arriere / Rear wheel / Rueda trasera



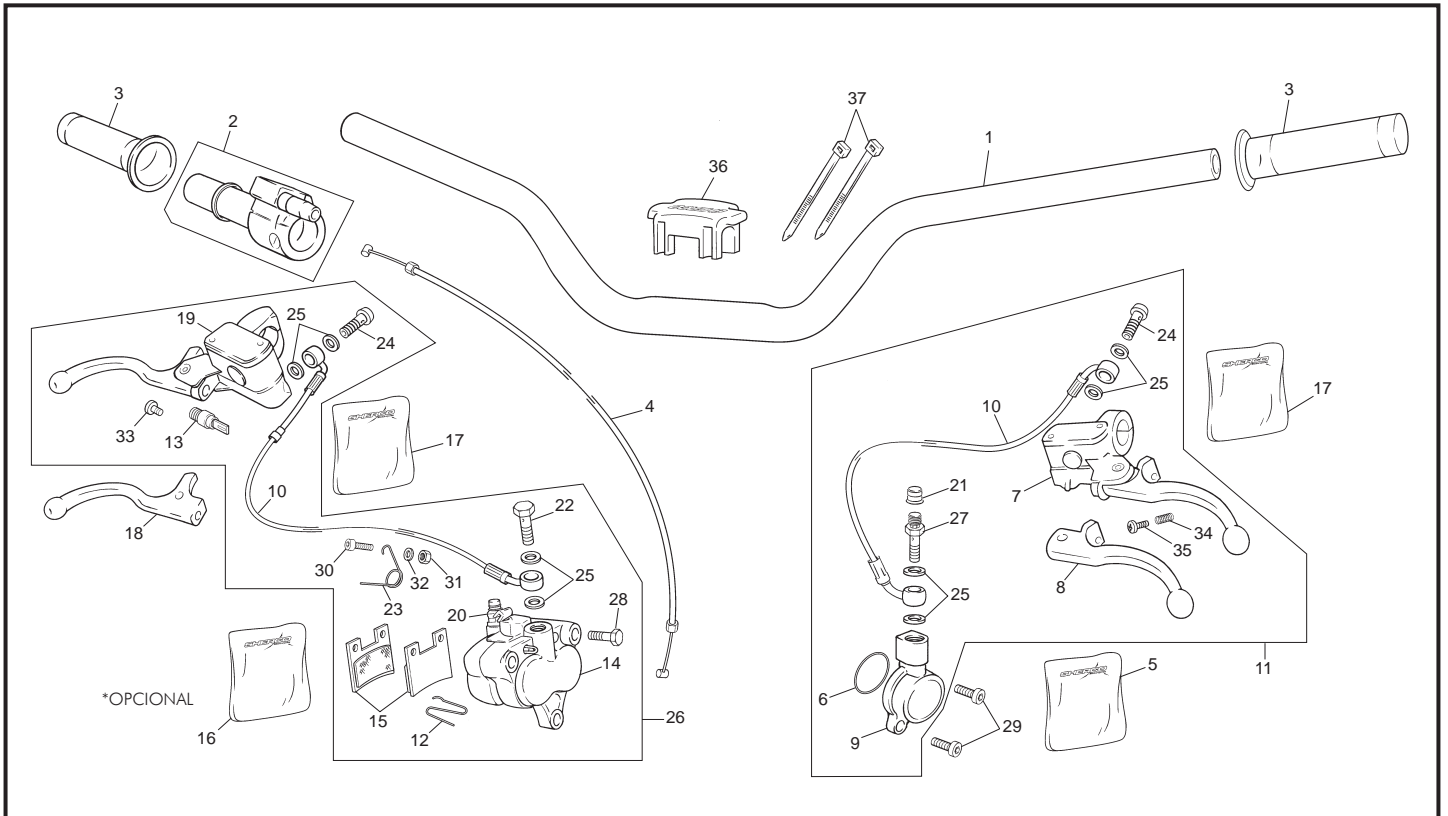
| POS. | 0.8 | 1.2 | 2.5 | 2.9 | FRANÇAIS | ENGLISH | ESPAÑOL |
|------|------|------|------|------|---------------------------------|--------------------------|--------------------------------|
| 1 | C253 | C253 | C253 | C253 | ECROU ROUE ARRIERE | REAR AXLE NUT | TUERCA EJE RUEDA TRASERA |
| 2 | M314 | M314 | M314 | M314 | RONDILLE X 16 1405 016 | WASHER X 17 | ARANDELA X 17 |
| 3 | C254 | C254 | C254 | C254 | EXENTRIQUE DROIT TENDEUR CHAINE | RUNNER CHAIN | EXCÉNTRICA DERECHA |
| 4 | C255 | C255 | C255 | C255 | ENTRETOISE ROUE ARRIERE | REAR BRUSH | SEPARADOR RUEDA TRASERA |
| 5 | M249 | M249 | M249 | M249 | VIS BHC 8 X 20 | SCREW BHC 8 X 20 | TORNILLO BHC 8 X 20 |
| 6 | C322 | 1065 | 1065 | 1065 | DISQUE FREIN ARRIERE WAVE TRIAL | REAR DISC WAVE TRIAL | DISCO FRENO TRASERO WAVE TRIAL |
| 7 | R049 | R049 | R049 | R049 | ROULEMENT DE MOYEU 6004 2RS | BEARING HUB 6004 2RS | RODAMIENTO BUJE 6004 2RS |
| 8 | C251 | C251 | C251 | C251 | PNEU ARRIERE 400X18 | REAR TYRE 400 X 18 | NEUMÁTICO 400 X 018 TUBELESS |
| 9 | ---- | C265 | C265 | C265 | CHAINE | CHAIN | CADENA |
| 10 | M227 | M227 | C267 | C267 | PIGNON | SPROCKET | PIÑÓN |
| 11 | M287 | M287 | M287 | M287 | VIS BHC 8 X 22 | SCREW BHC 8 X 22 | TORNILLO BHC 8 X 22 |
| 12 | C256 | C256 | C256 | C256 | EXENT. GAUCHE TENDEUR CHAINE | LEFT REAR AXLE EXCENTRIC | EXCÉNTRICA IZQUIERDA |
| 13 | C326 | C326 | C326 | C326 | AXE ROUE ARRIERE 2002 | AXELE BACK WHEEL 2002 | EJE RUEDA TRAS. 2002 |
| 14 | C263 | C263 | C263 | C263 | DOUILLE AIGUILLE PEDALE FREIN | BEARING | CASQUILLO AGUJAS PEDAL FRENO |
| 15 | C327 | C327 | C327 | C327 | PEDALE DE FREIN 2002 | REAR BRAKE PEDAL 2002 | PEDAL FRENO TRASERO 2002 |
| 16 | C358 | C358 | C358 | C358 | VIS CHC M4 X 6 | SCREW M4 X 6 CHC | TORNILLO M4X6 CHC |
| 17 | M303 | M303 | M303 | M303 | VIS HEXAG 8 X 25 | SCREW HEXAG 8 X 25 | TORNILLO HEXAG 8 X 25 |
| 18 | C264 | C264 | C264 | C264 | ENTRETOISE PEDALE DE FREIN | SPACER BRAKE PEDAL | CASQUILLO PEDAL DE FRENO |
| 19 | C304 | ---- | ---- | C304 | 1/2 MAILLON DE CHAINE | HALF COMPLING CONNECTION | MEDIA MALLA DE CADENA |
| 20 | M305 | M305 | M305 | M305 | ECROU NYLSTOP M8 | NUT NYLSTOP M8 | TUERCA NYLSTOP M8 |
| 21 | C261 | C261 | C261 | C261 | TIGE FREIN ARRIERE | PIN BRAKE ROD | TIJA PEDAL FRENO TRASERO |
| 22 | M284 | M284 | M284 | M284 | VIS BHC 6 X 25 | SCREW BHC 6 X 25 | TORNILLO 6 X 25 |
| 23 | C321 | C321 | C321 | C321 | GROUPE FREIN ARRIERE 2002 | REAR BRAKE COMPLETE 2001 | CTO FRENO TRASERO 2001 |
| 24 | C259 | C259 | C259 | C259 | CHAPE PEDALE FREIN 0267 | REAR BRAKE ROD | HORQUILLA PEDAL DE FRENO |
| 25 | M309 | M309 | M309 | M309 | ECROU STANDARD M6 0317 | NUT M6 | TUERCA M6 |
| 26 | C385 | C385 | C385 | C385 | POMPE FREIN AR 9,5 | REAR MASTER CYLINDER 9,5 | BOMBA FRENO TRASERO |
| 27 | R069 | R069 | R069 | R069 | TUBE LIQUI. FREIN BOCAL/POMPE | OIL TANK TUBE L 210 | TUBO LIQUIDO FRENO L 210 |
| 28 | R067 | R067 | R067 | R067 | ECROU DE RAYON AR | REAR NIPPLE SPOKE | TUERCA RADIOS TRASEROS |
| 29 | R066 | R066 | R066 | R066 | BOCAL LIQUIDE FREIN | OIL TANK BRAKE | DEPÓSITO LIQUIDO FRENO |
| 30 | M721 | C331 | C330 | C330 | COURRONE 42D 4 TROUS | REAR SPROCKET 42D 2002 | CORONA 42D 4TROUS 2002 |
| 31 | R074 | R074 | R074 | R074 | RONDILLE BANJO | ALUMINIUM SEAL | ARANDELA BANJO |
| 32 | R057 | R057 | R057 | R057 | PURGEUR ETIER AVANT | PURGE STIRRUP SCREW | SANGRADOR DELANTERO |
| 33 | R058 | R058 | R058 | R058 | CAPUCHON VIS DE PURGE | HOOD SCREW PURGE | TAPÓN SANGRADOR |
| 34 | C388 | C388 | C388 | C388 | DURITE FREIN ARRIERE | REAR BRAK HOSE | LATIGUILLO FRENO TRASERO |

Roue arriere / Rear wheel / Rueda trasera



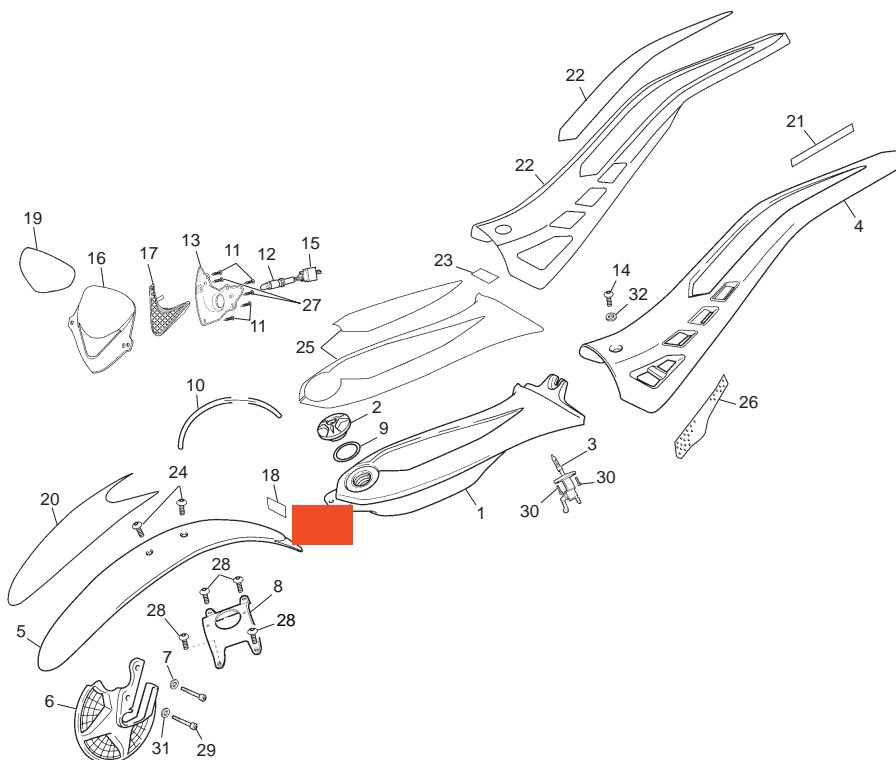
| POS. | 0.8 | 1.2 | 2.5 | 2.9 | FRANÇAIS | ENGLISH | ESPAÑOL |
|------|------|------|------|------|------------------------------------|--------------------------|------------------------------------|
| 35 | R233 | R233 | R233 | R233 | KIT REPARATION POMPE FREIN AR 2005 | KIT BACK CALIPER 2005 | KIT REPARACIÓN PINZA FRENO TR 2005 |
| 36 | C386 | C386 | C386 | C386 | ETRIER FREIN ARRIERE 2005 | REAR CALIPER 2005 | PINZA FRENO TRASERO 2005 |
| 37 | R059 | R059 | R059 | R059 | VIS RACCORD M10 X 21 | LINK SCREW M10 X 21 | TORNILLO RACORD M10 X 21 |
| 38 | C379 | C379 | C379 | C379 | RAYON AR ROUE 32R L218 | REAR SPOKE WEEL 32R L218 | RADIO TRASERO RUEDA 32R L218 |
| 39 | C380 | C380 | C380 | C380 | RAYON AR ROUE 32R L224 | REAR SPOKE WEEL 32R L224 | RADIO TRASERO RUEDA 32R L224 |
| 40 | C760 | C760 | C760 | C760 | JANTE ARRIERE RAYONS | REAR RIM | LLANTA TRASERA NEGRA |
| 41 | C731 | C735 | 1168 | 1168 | ROUE ARRIERE COMPLETE 06 | BACK WEEL 06 | RUEDA TRAS COMPLETA NEGRA 06 |
| 42 | R235 | R235 | R235 | R235 | KIT ETRIER ARRIERE | KIT CALIPER BACK | KIT PINZA FRENO TR |
| 43 | M282 | M282 | M282 | M282 | VIS BHC 6 X 10 1093 | SCREW BHC 6 X 10 | TORNILLO 6 X 10 ULS |
| 44 | R034 | R034 | R034 | R034 | ATTACHE RAPIDE DE CHAINE | CONNECTING LINK | ENGANCHE CADENA |
| 45 | C390 | C390 | C390 | C390 | PLAQUETTES FREIN ARRIERE PAIRE | REAR PAD BRAKE PAIR | JUEGO PASTILLAS TRASERO |
| 46 | R005 | R005 | R005 | R005 | FLAP DE ROUE ARRIERE | STRIP | FLAP |
| 47 | C323 | C323 | C323 | C323 | MOYEU ARRIERE | REAR HUB | BUJE TRASERO |
| 48 | R061 | R061 | R061 | R061 | VALVE AR | TUBLESS VALVE | VÁLVULA |
| 50 | C731 | C735 | 1168 | 1168 | ROUE ARRIERE 06 | COMPLETE REAR WHEEL 06 | RUEDA TRASERA 06 |

Guidon / Handlebar / Manillar



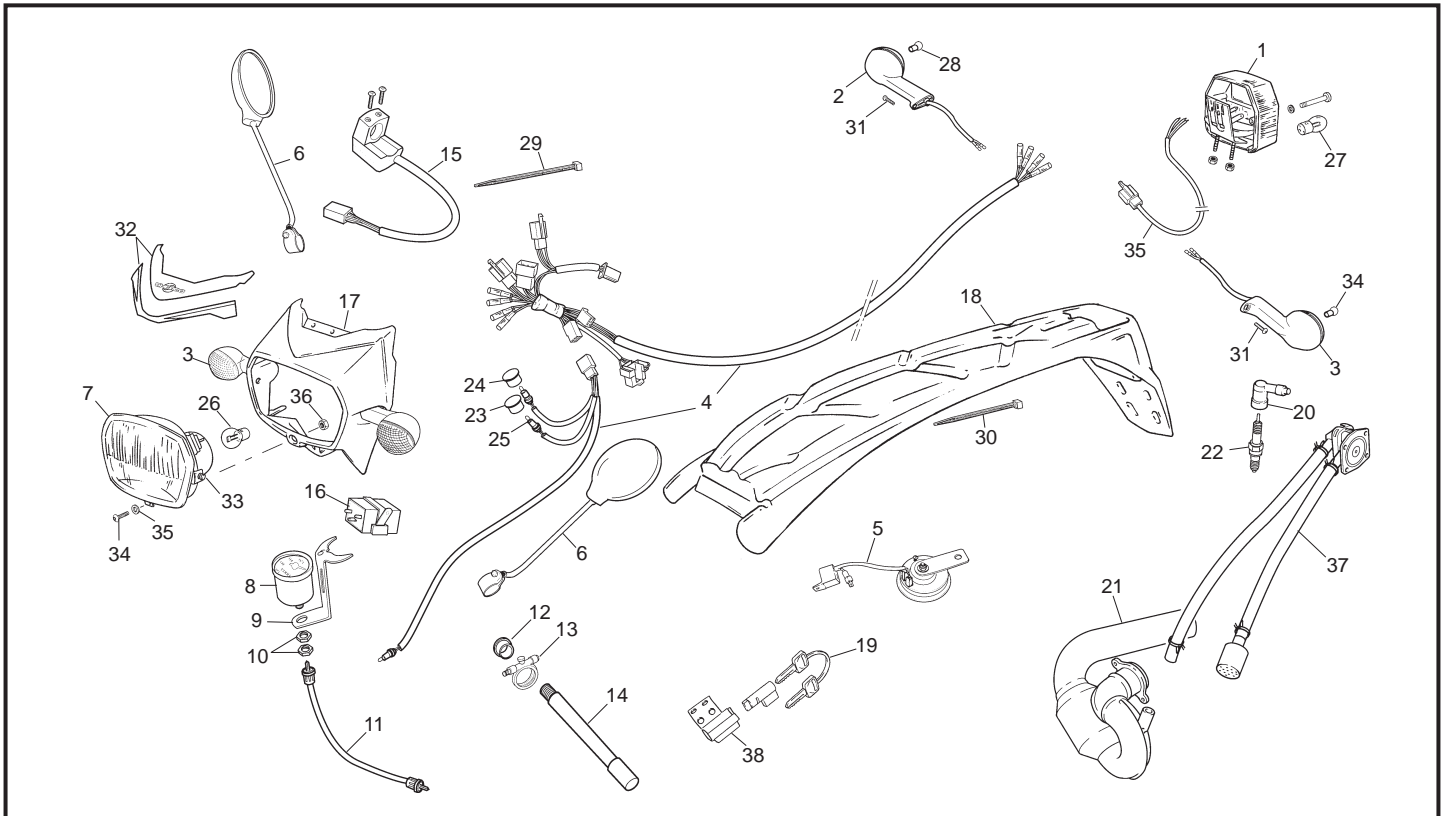
| POS. | 0.8 | 1.2 | 2.5 | 2.9 | FRANÇAIS | ENGLISH | ESPAÑOL |
|------|------|------|------|------|-------------------------------|--------------------------------------|----------------------------------|
| 1 | C746 | 1575 | 1575 | 1575 | GUIDON TRIAL ANTHRACITE 08 | HANDLEBAR TRIAL ANTHRACITE 08 | MANILLAR TRIAL ANTHRACITE 08 |
| 2 | C074 | C074 | C074 | C074 | COMMANDE DE GAZ | THROTTLE CONTROL | MANDO DE GAS |
| 3 | C075 | C075 | C075 | C075 | POIGNEE CAOUTCHOUC PAIRE | GRIPS SET | JUEGO EMPUÑADURAS |
| 4 | C076 | C076 | C076 | C076 | CABLE DE GAZ | THROTTLE CABLE | CABLE DE GAS |
| 5 | R023 | R023 | R023 | R023 | KIT REP. EMBRAYAGE | CLUTCH SLAVE CYLINDER REPAIR KIT | KIT REPARACIÓN EMBRAGUE |
| 6 | R024 | R024 | R024 | R024 | TORIQUE EMBRAYAGE | CLUTCH SLAVE CYLINDER O-RING | TÓRICA EMBRAGUE |
| 7 | R030 | R030 | R030 | R030 | POMPE EMB. CPL | CLUTCH MASTER CYLINDER ASSEMBLY | CONJUNTO BOMBA EMBRAGUE |
| 8 | R441 | R441 | R441 | R441 | LEJIER EMB SEUL | CLUTCH LEVER | MANETA EMBRAGUE |
| 9 | R032 | R032 | R032 | R032 | RECEPTEUR EMB SEUL | CLUTCH SLAVE CYLINDER HOUSING | PINZA EMBRAGUE COMPLETE |
| 10 | R033 | R033 | R033 | R033 | DURITE EMBRAYAGE | CLUTCH HOSE | EMBRAGUE / FRENO |
| 11 | M089 | M089 | M089 | M089 | GROUPE CPL. EMB. | COMPLETE CLUTCH HYDRAULIC KIT | GRUPO EMBRAGUE COMPLETO |
| 12 | R042 | R042 | R042 | R042 | CLIP PLAQUETTES | CALIPER SPRING CLIP | CLIP PASTILLAS |
| 13 | ---- | R207 | R207 | R207 | CONTACTEUR FREIN AVANT | BRAKE LIGHT SWITCH | INTERRUPTOR FRENO DELANTERO |
| 14 | C387 | C387 | C387 | C387 | ETRIER FREIN AVANT | FRONT CALIPER ASSY | PINZA FRENO DELANTERO |
| 15 | C389 | C389 | C389 | C389 | PLAQUETTES FREIN PAIRE | PAD BRAKE | JUEGO PASTILLAS FRENO |
| 16 | R234 | R234 | R234 | R234 | KIT REPARATION ETRIER | FRONT BRAKE CALIPER REPAIR KIT | KIT REPARACIÓN PINZA |
| 17 | R053 | R053 | R053 | R053 | KIT REPARATION POMPE FREIN | FRONT BR. MASTER CYLINDER REPAIR KIT | KIT REPARACIÓN BOMBA DELANTERO |
| 18 | R440 | R440 | R440 | R440 | LEVIER FREIN AVANT SEUL | FRONT BR. LEVER | MANETA FRENO |
| 19 | R056 | R056 | R056 | R056 | POMPE FREIN AV CPL | FRONT BR. MASTER CYLINDER ASSEMB. | BOMBA FRENO DELANTERO |
| 20 | R057 | R057 | R057 | R057 | PURGEUR ETIER AVANT | BLEED SCREW | SANGRADOR DELANTERO |
| 21 | R058 | R058 | R058 | R058 | CAPUCHON VIS DE PURGE | BLEED SCREW COVER | TAPÓN SANGRADOR |
| 22 | R059 | R059 | R059 | R059 | VIS RACCORD M10 x 21 | FRONT CALIPER BANJO BOLT | TORNILLO RACORD M10X21 |
| 23 | R043 | R043 | R043 | R043 | GUIDE ETRIER | WIRE GUIDE LOOP | GANCHO LATIGUILLO |
| 24 | R044 | R044 | R044 | R044 | VIS BANJO | BANJO BOLT | TORNILLO RACORD ULS |
| 25 | R074 | R074 | R074 | R074 | JOINT | COPPER O-RING | ARANDELA BANJO |
| 26 | C318 | C318 | C318 | C318 | GROUPE FREIN AVANT CPL | FRONT BRAKE HYDRAULIC ASSEMBLY | GRUPO FRENO DEL COMPLETO |
| 27 | R068 | R068 | R068 | R068 | PURGEUR RACORD | BLEED SREW | SANGRADOR RACORD |
| 28 | R236 | R236 | R236 | R236 | AXE ETRIER FREIN AV D. PISTON | PIN FRONT CALIPER DL.PISTON | EJE PINZA FRENO DEL DOBLE PISTÓN |
| 29 | M252 | M252 | M252 | M252 | VIS CHC 6x20 | SCREW CHC 6x20 | TORNILLO M6X20 DIN 912 |
| 30 | M283 | M283 | M283 | M283 | VIS BHC 6x16 | SCREW BHC 6x16 | TORNILLO M6X16 ULS |
| 31 | M306 | M306 | M306 | M306 | ECROU NYLSTOP M6 | NUT NYLSTOP M6 | TUERCA NYLSTOP M6 |
| 32 | M317 | M317 | M317 | M317 | RONDELLE x 6 | WASHER x 6 | ARANDELA X 6 DIN 125 B |
| 33 | R366 | R366 | R366 | R366 | RACORD | BUSHING FRONT BRAKE LIGHT SWITCH | SOPORTE INTERIOR FRENO |
| 34 | R367 | R367 | R367 | R367 | RESSORT | SPRING | MUELLE MANETA EMBRAGUE |
| 35 | R368 | R368 | R368 | R368 | VIS REGULATION | SCREW | TORN. TENSOR MANETA EMBRAGUE |
| 36 | ---- | 1227 | 1227 | 1227 | MOUSSE GUIDON TRIAL 07 | FOAM HANDLEBAR 07 | ESPUMA MANILLAR TRIAL 07 |
| 37 | ---- | 1246 | 1246 | 1246 | BRIDAS MUUSE | ZIP TIE | BRIDAS |

Plastiques / Plastics / Plásticos



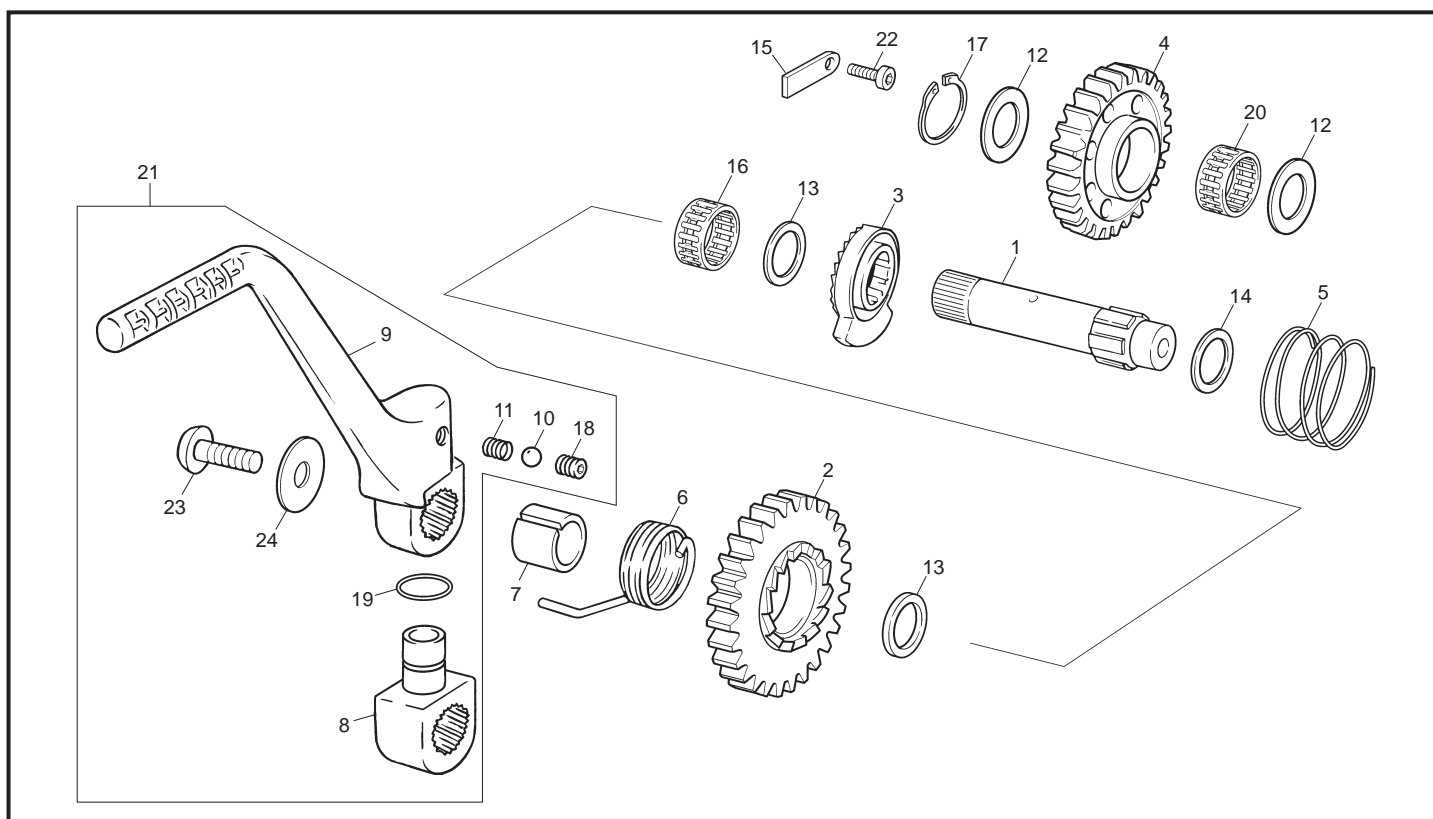
| POS. | 0.8 | 1.2 | 2.5 | 2.9 | FRANÇAIS | ENGLISH | ESPAÑOL |
|------|------|------|------|------|---------------------------------|--------------------------------|-------------------------------|
| 1 | 1560 | 1560 | 1560 | 1560 | RESERVOIR ESSENCE BLANC 08 | PETROL TANK WHITE 08 | DEPÓSITO GASOLINA BLANCO 08 |
| 2 | C712 | C712 | C712 | C712 | BOUCHON ESSENCE | PETROL CAP | TAPÓN GASOLINA |
| 3 | C023 | C023 | C023 | C023 | ROBINET ESSENCE | PETROL TAP | GRIFO GASOLINA |
| 4 | 1493 | 1493 | 1493 | 1493 | PARE BOUE ARRIERE AR. BLANC 08 | REAR NUDGUARD WHITE 08 | GUARDABARROS TRA. BLANCO 08 |
| 5 | 1499 | 1499 | 1499 | 1499 | PARE BOUE AVANT AR. BLANC 08 | FRONT NUDGUARD WHITE 08 | GUARDABARROS DEL. BLANCO 08 |
| 6 | C636 | C636 | C636 | C636 | PARE DISQUE | DISC COVER | PROTECTOR DISCO |
| 7 | 1475 | 1475 | 1475 | 1475 | ENTRETOISE PARE DISQUE 08 | SPACER DISC COVER 08 | SEPARADOR CUBREDISCOS DEL. 08 |
| 8 | C696 | 1474 | 1474 | 1474 | ARCEAU SUPPORT GARDE BOUE NOIRE | F/MUDGUARD HOLDER BLACK 08 | PUENTE SUSPENSIÓN NEGRO 08 |
| 9 | C721 | C721 | C721 | C721 | JOINT BUOCHONS | CAP GASKET | JUNTA TAPÓN |
| 10 | C043 | C043 | C043 | C043 | DURITE ESSENCE | PETROL HOSE | TUBO GASOLINA |
| 11 | M336 | M336 | M336 | M336 | VIS TOLE 2.9X9.5 | SCREW 2.9X9.5 | TORNILLO CHAPA 2.9X9.5 |
| 12 | ---- | C067 | C067 | C067 | AMPOULE AVANT | FRONT LIGHT BULB | BOMBILLA FARO DELANTERO |
| 13 | C062 | C062 | C062 | C062 | INT. PLAQUE PHARE NOIR | FRONT PLATE BACK HOLDER | INT. PLACA FARO |
| 14 | M343 | M343 | M343 | M343 | VIS 6X35 | SCREW 6X35 | TORNILLO M6X35 |
| 15 | ---- | C066 | C066 | C066 | FAISEAU ELECTRIQUE PLAQUE PHARE | HEADLIGHT WIRING HARNESS | INSTALACIÓN DELANTERA |
| 16 | 1098 | 1098 | 1098 | 1098 | PLAQUE PHARE NOIRE 07 | PLASTIC LIGHT COVER BLACK 07 | PLACA FARO NEGRO 07 |
| 17 | C068 | C068 | C068 | C068 | OPTIQUE | HEADLIGHT LENSE | ÓPTICA COMPLETA |
| 18 | | | | | | | |
| 19 | 1478 | 1478 | 1478 | 1478 | AD PLAQUE FARE 2T 08 | FRONT LIGHT STICKER 2T 08 | AD PLACA FARO 2T 08 |
| 20 | 1477 | 1477 | 1477 | 1477 | AD GB AVANT 2T 08 | FRONT MUDGARD STICKER 2T 08 | AD GB DELANTERO 2T 08 |
| 21 | ---- | 1578 | 1577 | 1576 | AD CILINDREE | CC STICKER | AD CILINDRADA |
| 22 | 1479 | 1479 | 1479 | 1479 | AD GB ARRIERE 2T 08 | REAR MUDGARD TOP STICKER 2T 08 | AD GB TRASERO 2T 08 |
| 23 | C307 | C307 | C307 | C307 | AD RESERVE COMPETITION | ADVISE STICKER | AD RESERVADO COMPETICIÓN |
| 24 | M289 | M289 | M289 | M289 | ULS VIS BHC M6X12 | SCREW M6X12 | TORNILLO M6X12 |
| 25 | 1476 | 1476 | 1476 | 1476 | AD RESERVOIR 06 | PETROL TANK STICKER 06 | AD DEPÓSITO 06 |
| 26 | C714 | C714 | C714 | C714 | ADH PROTECTEUR TERMIQUE | HEAT RESISTANT STICKER | PROTECTOR TÉRMICO |
| 27 | M342 | M342 | M342 | M342 | VIS TOLE 3.5X9.5 | SCREW 3.5X9.5 | TORNILLO CHAPA 3.5X9.5 |
| 28 | M251 | M251 | M251 | M251 | VIS CHC 6X16 | SCREW CHC 6X16 | TORNILLO M6X16 DIN 912 |
| 29 | M267 | M267 | M267 | M267 | VIS CHC 4X16 | SCREW VIS CHC 4X16 | TORNILLO M4X16 DIN 912 |
| 30 | M282 | M282 | M282 | M282 | VIS BHC 6X10 | SCREW BCH 6X10 | TORNILLO M6X10 ULS |
| 31 | M318 | M318 | M318 | M318 | RONDILLE 4X12 | WASHER 4X12 | ARANDELA 4X12X1 DIN 9021 |
| 32 | M321 | M321 | M321 | M321 | RONDILLE 6X18 | WASHER 6X18 | ARANDELA 6X18X1.5 DIN 9021 |

Kit homologation / Kit homologation / Kit homologación



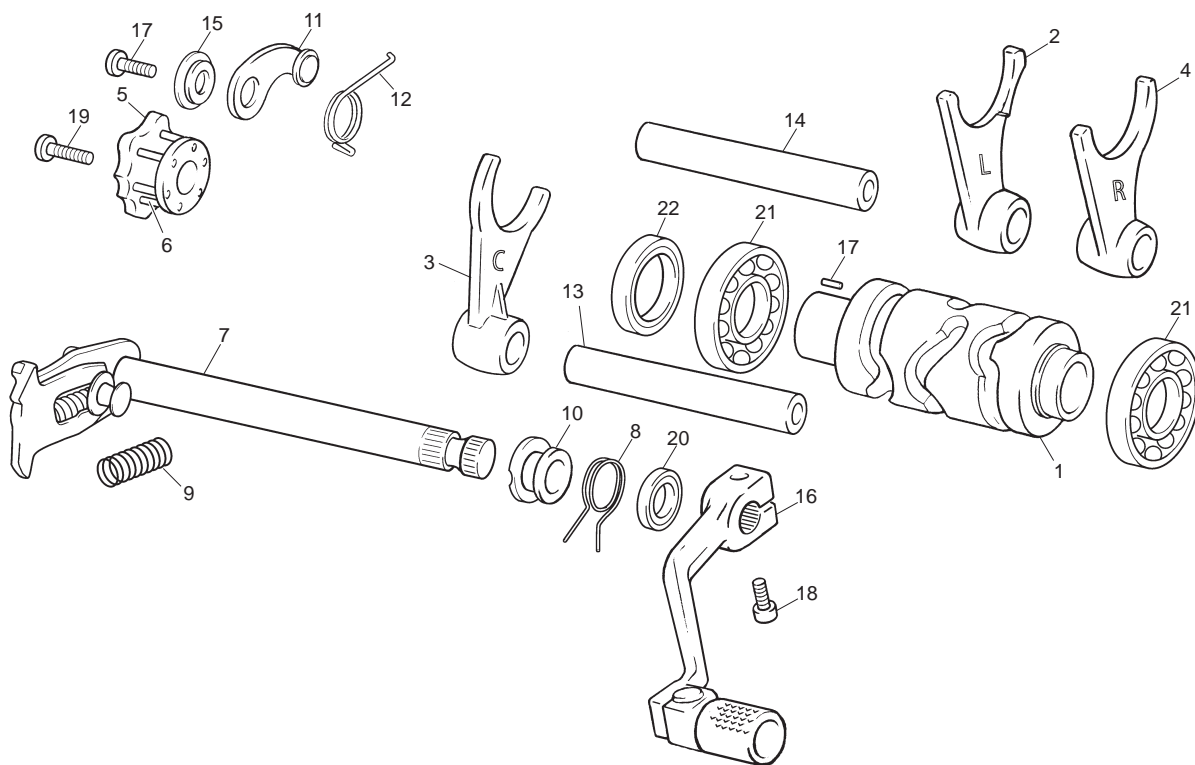
| POS. | 0.8 | 1.2 | 2.5 | 2.9 | FRANÇAIS | ENGLISH | ESPAÑOL |
|------|------|------|------|------|---------------------------------|-----------------------------|--------------------------------|
| 1 | ---- | S354 | S354 | S354 | FEU ROUGE ARRIERE LUXAR | REAR LIGHT ASSY | PILOTO TRASERO COMPLETO |
| 2 | ---- | S233 | S233 | S233 | CLIGNO | INDICATOR | INTERMITENTE |
| 3 | ---- | S234 | S234 | S234 | CLIGNO | INDICATOR | INTERMITENTE |
| 4 | ---- | S252 | S252 | S252 | FAISSEAU ELECT CLIGNO CEE | LIGHT COIRE LOOM | INSTALACIÓN INTERMITENTES |
| 5 | ---- | C042 | C042 | C042 | AVERTISSEUR SONORE | HORN | CLAXON |
| 6 | ---- | S232 | S232 | S232 | RETROVISEUR | MIRROR | RETROVISOR |
| 7 | ---- | S353 | S353 | S353 | GROUPE FHARE AVANT CEV | FRONT LIGHT ASSY | FARO DELANTERO |
| 8 | ---- | R201 | R201 | R201 | COMPTEUR DE VITESSE | SPEEDOMETER ASSEMBLY | CUENTA KILÓMETROS |
| 9 | ---- | S287 | S287 | S287 | SUPPORT COMPTEUR FOURCHE | BRACKET | SOPORTE CUENTA Km. |
| 10 | ---- | R202 | R202 | R202 | ECROU SPECIAL COMPTEUR | NUT (LOCK) | TUERCA |
| 11 | ---- | R203 | R203 | R203 | CABLE COMPTEUR DE VITESSE | SPEEDOMETER CABLE | CABLE CUENTA Km. |
| 12 | ---- | R199 | R199 | R199 | ENTRETOISE COMPTEUR. | SPACER | CASQUILLO REENVÍO |
| 13 | ---- | R200 | R200 | R200 | ENTRAINEUR DE COMPTEUR | SPEEDOMETER DRIVE | REENVIÓ |
| 14 | ---- | R209 | R209 | R209 | AXEA ROUE SPECIAL COMPTEUR | FRONT WHEEL AXLE | EJE ESPECIAL |
| 15 | ---- | S288 | S288 | S288 | FAISS. ELCT.+CONMUTATEUR CLIGNO | ELECTRIC CABLE HOMOLOGATION | CONMUTADOR DE INTERMITENCIAS |
| 16 | ---- | S289 | S289 | S289 | CENTRAL CLIGNO HOMOLOGATION | INDICATOR LIGHT CENTRAL | CENTRAL INTERMITENCIAS |
| 17 | ---- | S352 | S352 | S352 | PLAQUE PHARE GRIS HOMOL. | FRONT LIGHT COVER | PLACA FARO |
| 18 | ---- | C306 | C306 | C306 | SUPPORT FEU HOMOLOGATION | SUPPORT HOMOLOGATION LIGHT | SOPORTE PILOTO TRASERO HOMOL. |
| 19 | ---- | 0225 | 0225 | 0225 | ANTIVOL | BOLT | ANTIROBO |
| 20 | ---- | C396 | C396 | C396 | BOUGIE ANTIPARASITE HOMOL | REISSOR SPARK PLUG | BUJÍA ANTIPARASITARIA R |
| 21 | ---- | C740 | C740 | C740 | TUBE ECHAPEMENT HOMOL | EXHAUST PIPE HOMOLOGATION | TUBO ESCAPE CON OBTURADOR |
| 22 | ---- | C334 | C334 | C334 | ANTIPARASITE HOMOLOGUE | PLUG COVER HOMOLOGATION | PIPA HOMOLOGACIÓN R |
| 23 | ---- | C400 | C400 | C400 | TEMOIN VERD | TEST LIGHT GREEN | TESTIGO VERDE |
| 24 | ---- | C401 | C401 | C401 | TEMOIN BLEU | TEST LIGHT BLUE | TESTIGO AZUL |
| 25 | ---- | C402 | C402 | C402 | AMPOULE TEMOIN 13W 12V | BULB TEST | BOMBILLA TESTIGOS 13W 12V |
| 26 | ---- | C403 | C403 | C403 | AMPOULE FARE 35/35W 12V | BULB FRONT LIGHT | BOMBILLA FARO 35/35W 12V |
| 27 | ---- | C404 | C404 | C404 | AMPOULE PILOTE ARR 21/5W 12V | BULB BACK LIGHT | BOMBILLA PILOTO TRAS 21/5W 12V |
| 28 | ---- | C405 | C405 | C405 | AMPOULE CLIGNO 10W/12V | BULB IND LIGHT | BOMBILLA INTERMITENTES 10W/12V |
| 29 | ---- | M330 | M330 | M330 | COLLIER 178X4.8 | BRACKET 178X4.8 | ABRAZADERA 178X4.8 |
| 30 | ---- | M331 | M331 | M331 | COLLIER 100X2.5 | BRACKET 100X2,5 | ABRAZADERA100X2.5 |
| 31 | ---- | M335 | M335 | M335 | VIS TOLE 3.9X16 | SCREW 3.9X6 | TORNILLO ROSCA CHAPA 3.9X16 |
| 32 | ---- | 1506 | 1506 | 1506 | AD PLAQUE FARE 08 | FRONT LIGHT STICKER 08 | ADH. PLACA FARO 08 |
| 33 | ---- | M400 | M400 | M400 | VIS SANS TETE M5X12 | SCREW NO HEAD M5X12 | ESPÁRRAGO M5X12 |
| 34 | ---- | M267 | M267 | M267 | VIS CHC 4X16 | SCREM CHC 4X16 | TORNILLO ALLEN 4X16 |
| 35 | ---- | M318 | M318 | M318 | RONDELLE 4X12 | WASHER 4X12 | ARANDELA 4X12 |
| 36 | ---- | C641 | C641 | C641 | ECRON NYLSTOP M4 | NUT NYLSTOP M4 | TUERCA NYLSTOP M4 |
| 37 | ---- | C641 | C641 | C641 | BOITIER SECONDAIRE HOMOL. | BOX SECOND AIR HOMOL. | CAJA AIRE SECUNDARIO HOMOL. |
| 38 | ---- | 0448 | 0448 | 0448 | SUPPORT ANTIVOL DIRECTION | STEAL DIRECTION HOLDER | SOPORTE ANTIROBO |

Lanceur / Kickstarter assembly / Pedal arranque



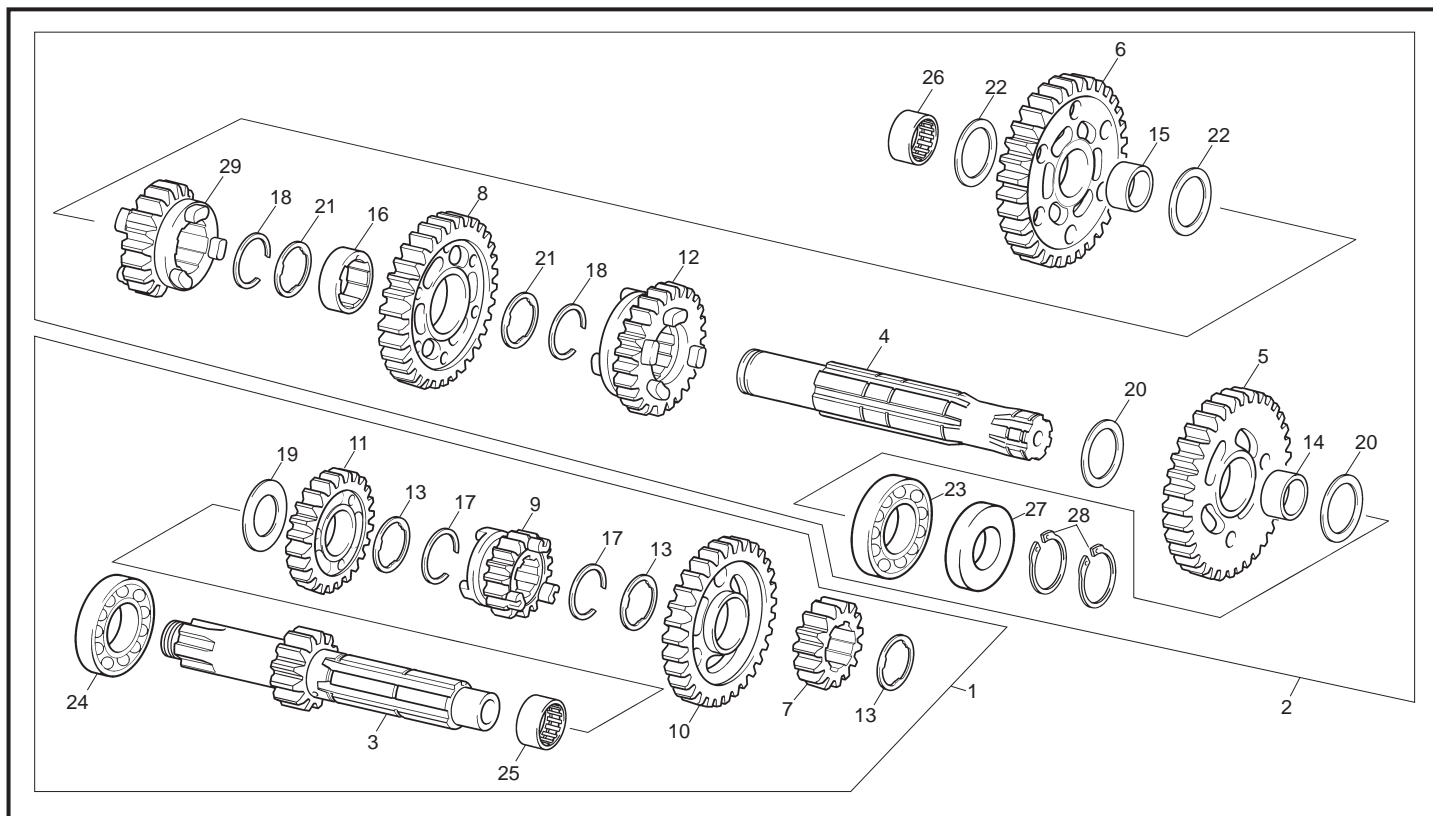
| POS. | 0.8 | 1.2 | 2.5 | 2.9 | FRANÇAIS | ENGLISH | ESPAÑOL |
|------|------|------|------|------|--------------------------------|---------------------------------|-------------------------------|
| 1 | M150 | M150 | M150 | M150 | ARBRE LANCEUR | KICKSTARTER SHAFT | EJE ARRANQUE |
| 2 | M151 | M151 | M151 | M151 | PIGNON LIBRE DENT DE LOUP | KICKSTARTER PINION | PIÑÓN TRINQUETE |
| 3 | M152 | M152 | M152 | M152 | COULISSEAU DENT DE LOUP | KICKSTARTER FREE RACHET | TRINQUETE DESPLAZABLE |
| 4 | M153 | M153 | M153 | M153 | ROUE INTERMEDIAIRE | KICKSTARTER IDLE GEAR | RUEDA INTERMEDIA |
| 5 | M155 | M155 | M155 | M155 | RESSORT COULISSEAU D DE L | COMPRESSION SPRING | MUELLE TRINQUETE |
| 6 | M156 | M156 | M156 | M156 | RESSORT DE RAPPEL | KICKSTARTER SPRING | MUELLE DE RETORNO |
| 7 | M157 | M157 | M157 | M157 | DOUILLE CENTRAGE RESSORT | KICKSTARTER SPRING SPACER | CASQUILLO CENTRAJE MUELLE |
| 8 | M158 | M158 | M158 | M158 | NOIX DE KICK | KICKSTARTER LOWER CLAMP | MUÑEQUILLA PEDAL ARRANQUE |
| 9 | M159 | M159 | M159 | M159 | LEVIER DE KICK | KICKSTARTER UPPER LEVER | PEDAL ARRANQUE |
| 10 | M160 | M160 | M160 | M160 | BILLE 5.5 | 5.5 BALL | BOLA 5.5 |
| 11 | M161 | M161 | M161 | M161 | RESSORT DE POUSSEE BILLE | BALL SPRING | MUELLE PULSADOR BOLA |
| 12 | M163 | M163 | M163 | M163 | RONDELLE INA AS 17x30x1 | WASHER INA AS 17x30x1 | ARANDELA INA AS 17X30X1 |
| 13 | M164 | M164 | M164 | M164 | RONDELLE ARBRE 17x25x1 | WASHER 17x25x1 | ARANDELA EJE ARRANQUE 17X25X1 |
| 14 | M165 | M165 | M165 | M165 | RONDELLE ARBRE 16x25x1 | WASHER 16x25x1 | ARANDELA EJE ARRANQUE 16X25X1 |
| 15 | M166 | M166 | M166 | M166 | BUTEE COULISSEAU D DE L | KICKSTARTER RACHET STOP | TOPE TRINQUETE DESPLAZABLE |
| 16 | M167 | M167 | M167 | M167 | CAGE AIGUILLE PIGNON DENT LOUP | NEEDLE BEARING K17x20x10 | JAULA AGUJAS PIÑÓN TRINQUETE |
| 17 | M171 | M171 | M171 | M171 | SEGMENT ARRET DIAN 17 | RETAINING RING 17 | SEGER DIÁMETRO 17 |
| 18 | M169 | M169 | M169 | M169 | VIS SANS TETE | SET SCREW | PRISIONERO |
| 19 | M168 | M168 | M168 | M168 | TORIQUE 14X2 | O-RING 14X2 | TÓRICA 14X2 |
| 20 | M077 | M077 | M077 | M077 | DOUILLE AIGUILLE HK1712 B | NEEDLE ROLLER BEARING HK1712 B | JAULA AGUJAS HK1712 B |
| 21 | M149 | M149 | M149 | M149 | KICK COMPLETE | COMP KICKSTARTER LEVER ASSEMBLY | PEDAL COMPLETO |
| 22 | M251 | M251 | M251 | M251 | VIS CHC 6x16 | SCREW CHC 6x16 | TORNILLO M6X16 DIN 912 |
| 23 | M280 | M280 | M280 | M280 | VIS BHC 8x16 | SCREW BHC 8x16 | TORNILLO M8X16 ULS |
| 24 | M319 | M319 | M319 | M319 | RONDELLE 8x18x1.5 | WASHER 8x18x1.5 | ARANDELA 8X18X1.5 CÓNICA DIN |

Selecteur / Gear selector group / Selector cambio



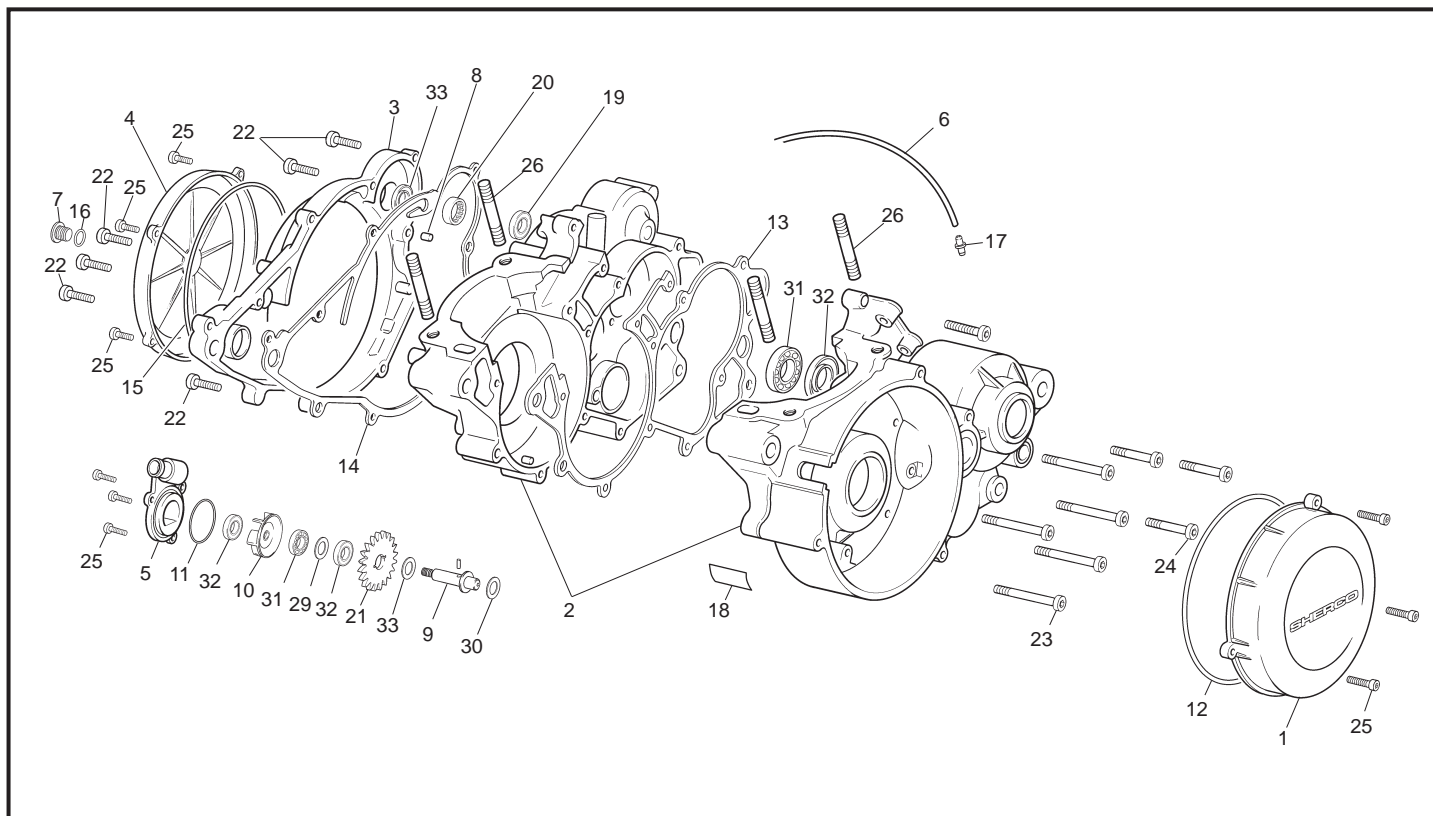
| POS. | 0.8 | 1.2 | 2.5 | 2.9 | FRANÇAIS | ENGLISH | ESPAÑOL |
|------|------|------|------|------|----------------------------------|----------------------------|----------------------------------|
| 1 | M100 | M100 | M100 | M100 | TAMBOUR DE SELECTION | SELECTOR DRUM | DESMODRÓMICO SELECTOR |
| 2 | M102 | M102 | M102 | M102 | FOURCHETTE L | L FORK | HORQUILLA L |
| 3 | M103 | M103 | M103 | M103 | FOURCHETTE | C FORK | HORQUILLA C |
| 4 | M104 | M104 | M104 | M104 | FOURCHETTE R | R FORK | HORQUILLA R |
| 5 | M105 | M105 | M105 | M105 | ETOILE DE SELECTION CPL | INDEX SHIM | ESTRELLA SELECTOR |
| 6 | M106 | M106 | M106 | M106 | PION ETOILE INA NRA 3X19,8 | SELECTOR DRUM | AGUJA DE SELECTORINA |
| 7 | M107 | M107 | M107 | M107 | ARBRE DE SELECTEUR CPL | SHIFT SHAFT WITH PAWL ASSY | ÁRBOL SELECTOR |
| 8 | M110 | M110 | M110 | M110 | RESSORT RAPPEL SELECTION | SPRING SHIFT LEVER | MUELLE RETORNO SELECTOR |
| 9 | M111 | M111 | M111 | M111 | RESSORT RAPPEL COULISSEAU | PAWL ASSY SPRING | MUELLE RETORNO ESCORPIÓN |
| 10 | M113 | M113 | M113 | M113 | DOUILLE CENTRAGE RESSORT RAPPEL | SPACER SPRING SHIFT LEVER | CASQUILLO CENTRAJE MUELLE |
| 11 | M114 | M114 | M114 | M114 | LEVER DE VERROUILLAGE CPL | INDEX LEVER ASSY | PALANCA DE CIERRE SELECTOR |
| 12 | M117 | M117 | M117 | M117 | RESSORT DE RAPPE LEVIER VERROUIL | INDEX SPRING | MUELLE RETORNO PALANCA DE CIERRE |
| 13 | M118 | M118 | M118 | M118 | AX DE FOURCHETTE COURT | FORK SPINDLE | EJE DE HORQUILLA CORTO |
| 14 | M119 | M119 | M119 | M119 | AXE DE FOURCHETTE LONG | FORK SPINDLE LONG | EJE DE HORQUILLA LARGO |
| 15 | M121 | M121 | M121 | M121 | DOUILLE LEVIER VERROUILLAGE | COLLAR | CASQUILLO PALANCA CIERRE |
| 16 | M127 | M127 | M127 | M127 | SELECTEUR EXTERIEUR | SHIFT LEVER ASSY | PALANCA DE CAMBIO |
| 17 | M122 | M122 | M122 | M122 | PION CLAVETAGE NRA 3X11,8 | NEEDLE PINNRA 3X11,8 | AGUJA DESMO NRA 3X11,8 |
| 18 | M252 | M252 | M252 | M252 | VIS CHC 6X20 | SCREW CHC 6X20 | TORNILLO M6X20 DIN 912 |
| 19 | M253 | M253 | M253 | M253 | VIS CHC 6X30 | SCREW CHC 6X30 | TORNILLO M6X30 DIN 912 |
| 20 | M126 | M126 | M126 | M126 | JOINT 12X19X5 | SEAL | RETEN SELECTOR 12X19X5 |
| 21 | M123 | M123 | M123 | M123 | ROULEMENT A BILLES | BEARING | COJINETE |
| 22 | M124 | M124 | M124 | M124 | JOINT | SEAL | RETEN |

Boite a vitesses / Gear set / Cambio



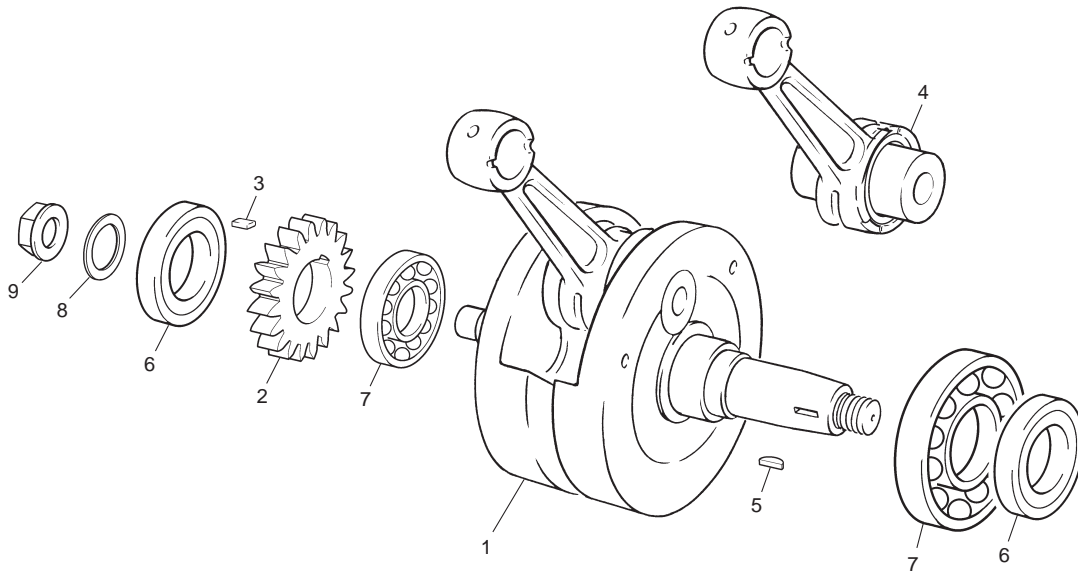
| POS. | 0.8 | 1.2 | 2.5 | 2.9 | FRANÇAIS | ENGLISH | ESPAÑOL |
|------|------|------|------|------|-------------------------------------|---------------------------------|----------------------------------|
| 1 | M390 | M390 | M390 | M390 | ENSEMBLE ARBRE PRIMAIRE | GROUP PRIMARY SHAFT WITH PINION | CONJUNTO. EJE PRIM. CAMBIO |
| 2 | M391 | M391 | M391 | M391 | ENSEMBLE ARBRE SECONDAIRE | GR. SECONDARY SHAFT WITH PINION | CONJUNTO. EJE SECUN. CAMBIO |
| 3 | M374 | M374 | M374 | M374 | ARBRE PRIMAIRE / PIGNON 1ERE EVOL 2 | GEAR CLUTCH SHAFT EVOL 2 | EJE PRIMARIO EVOL 2 |
| 4 | M054 | M054 | M054 | M054 | ARBRE SECONDAIRE | MAINSHAFT | EJE SECUNDARIO |
| 5 | M367 | M367 | M367 | M367 | PIG. SECONDAIRE 1ERE EVOL 2 S/S | PINION SECOND 1ERE EVOL 2 S/S | PIÑÓN SECOND 1ERE EVOL 2 S/S |
| 6 | M056 | M056 | M056 | M056 | ROUE LIBRE DE 2EME S/S | FREE PINION 2EME | CORONA DE 2º S/S |
| 7 | M057 | M057 | M057 | M057 | PIGNON FIXE DE 2EME S/P | GEAR PINION 2EME | PIÑÓN DE 2º S/P |
| 8 | M058 | M058 | M058 | M058 | ROUE LIBRE DE 3EME S/S | FREE PINION 3EME | CORONA DE 3º S/S |
| 9 | M059 | M059 | M059 | M059 | PIGNON BALADEUR DE 3EME S/P | GEAR PINION 3EME | PIÑÓN DESPLAZABLE 3º S/P |
| 10 | M061 | M061 | M061 | M061 | ROUE LIBRE DE 5EME S/P | FREE PINION 5EME | CORONA LIBRE DE 5º S/P |
| 11 | M062 | M062 | M062 | M062 | LIBRE DE 4EME S/P | GEAR PINION 4EME | PIÑÓN DE 4º S/P |
| 12 | M063 | M063 | M063 | M063 | ROUE BALADEUSE DE 4EME S/S | FREE PINION 4EME | CORONA DESPLAZABLE DE 4º S/S |
| 13 | M064 | M064 | M064 | M064 | RONDILLE CRENEAUX 20x24x1 | GEAR WASHER | ARANDELA ESTRIADA |
| 14 | M065 | M065 | M065 | M065 | DOUILLE ANTI FRICTION 1ERE | BUSHING 1ERE | CASQUILLO ANTI-FRICCIÓN 1º |
| 15 | M066 | M066 | M066 | M066 | DOUILLE ANTI FRICTION 2EME | BUSHING 2EME | CASQUILLO ANTI-FRICCIÓN 2º |
| 16 | M067 | M067 | M067 | M067 | DOUILLE ANTI FRICTION 3EME | BUSHING 3EME | CASQUILLO ANTI-FRICCIÓN 3º |
| 17 | M068 | M068 | M068 | M068 | SEGMENT ARRET WR20 | RETAINING WR 20 | SEGER WR 20 |
| 18 | M069 | M069 | M069 | M069 | SEGMENT ARRET WR22 | RETAINING WR 22 | SEGER WR 22 |
| 19 | M070 | M070 | M070 | M070 | RON. INA ARBRE PRIMAIRE 27,8X15X1 | THRUST WASHER 28,7X15X1 | ARAN. INA EJE PRIMARIO 27,8X15X1 |
| 20 | M071 | M071 | M071 | M071 | ARBRE SECONDAIRE 17x27x1 | MAINSHAFT WASHER | ARANDELA EJE SECUNDARIO |
| 21 | M072 | M072 | M072 | M072 | RONDILLE CRENEAU ARBRE | WASHER | ARANDELA ESTRIADA EJE SECUNDARIO |
| 22 | M073 | M073 | M073 | M073 | RON. ARBRE SECONDAIRE 20x27x1 | MAINSHAFT WASHER | ARANDELA EJE SECUNDARIO |
| 23 | M074 | M074 | M074 | M074 | ROULEMENT 20x47x14 | BEARING 20x47x14 | COJINETE 20X47X14 6204 C3 |
| 24 | M075 | M075 | M075 | M075 | ROULEMENT 20x47x14 RSR | BEARING 20x47x14RSR | COJINETE 20X47X14 6204 RS |
| 25 | M076 | M076 | M076 | M076 | DOUILLE AIGUILLE 15x21x12 | NEEDLE BEARING 15x21x12 | CASQUILLO DE AGUJAS 15X21X12 |
| 26 | M077 | M077 | M077 | M077 | DOUILLE AIGUILLE HK1712B | NEEDLE BEARING 17x23x12 | CASQUILLO DE AGUJAS HK1712B |
| 27 | M078 | M078 | M078 | M078 | DOUBLE LEVRE 20x30x7 | OIL SEAL 20x30x7 JOINT | RETÉN DOBLE LABIO 20X30X7 |
| 28 | M350 | M350 | M350 | M350 | ARRET WR20 SORTIE BOITE | SNAP RING WR20 | SEGMENT ARRET WR20 |
| 29 | M060 | M060 | M060 | M060 | PIGNON LIBRE DE 5EME S/S | GEAR PINION 5EME | PIÑÓN DE 5º S/S |

Groupe carters / Crankcase assembly / Grupo carters



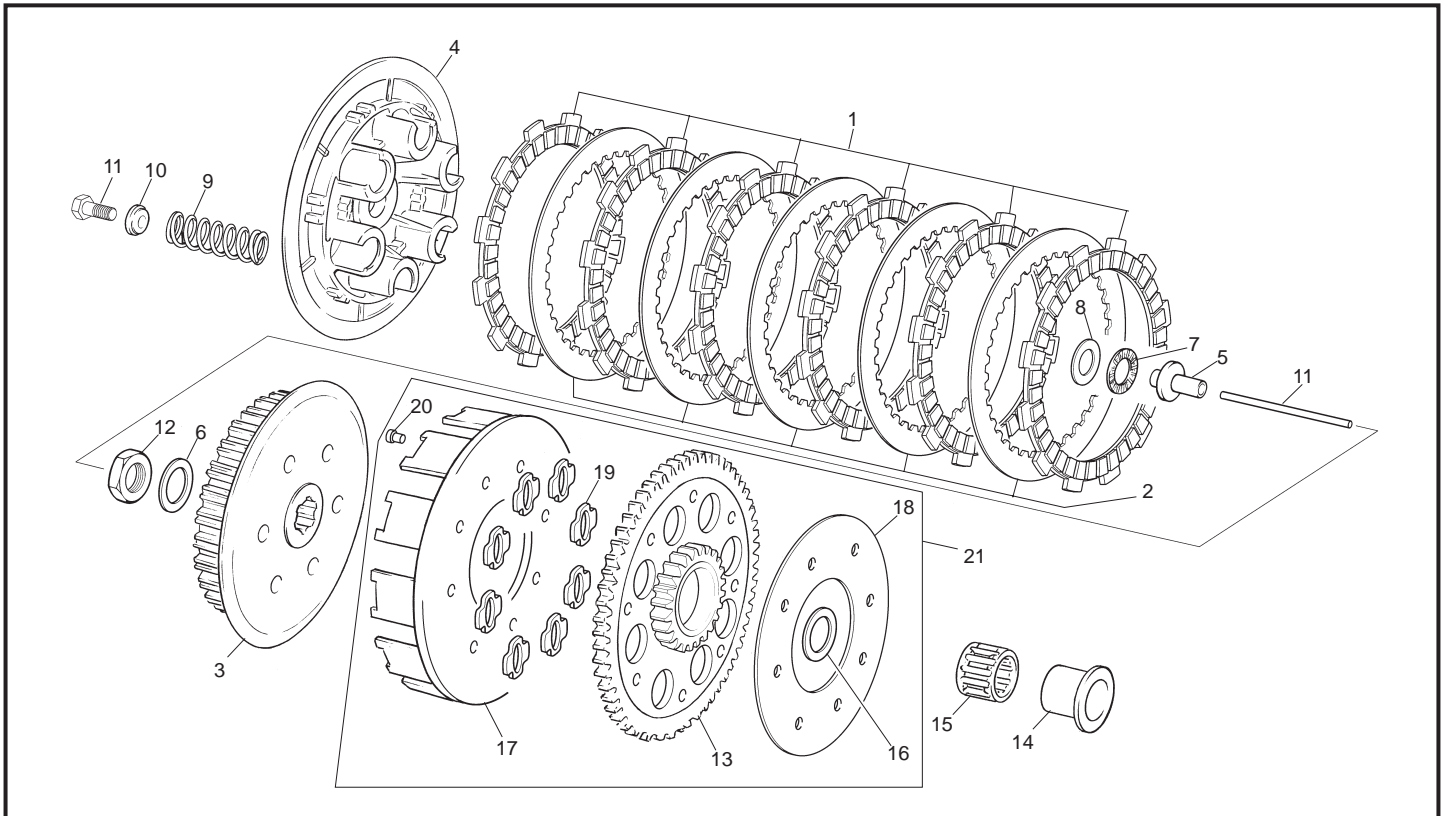
| POS. | 0.8 | 1.2 | 2.5 | 2.9 | FRANÇAIS | ENGLISH | ESPAÑOL |
|------|------|------|------|------|----------------------------------|--------------------------------|----------------------------------|
| 1 | M742 | M742 | M742 | M742 | CARTER ALLUMAGE 06 | IGNITION COVER 06 | TAPA ENCENDIDO 06 |
| 2 | M687 | M687 | M688 | M688 | GROUPE CARTERS CENTRAUX | CRANKCASES SET | CARTERS CENTRALES |
| 3 | M382 | M382 | M382 | M382 | COVER CARTER LATERAL DROIT | ENGINE SIDE CASE | CARTER LATERAL DERECHO |
| 4 | M383 | M383 | M383 | M383 | COUVERCLE EMBRAYAGE | CLUTCH COVER | TAPETA EMBRAGUE |
| 5 | M384 | M384 | M384 | M384 | COUVERCLE POMPE EAU | WATER PUMP COVER | TAPA BOMBA AGUA |
| 6 | M016 | M016 | M016 | M016 | RENIFLAR CARTER CENTRAL | CRANKCASE BREATHER | TUBO DEPRESOR CARTERS |
| 7 | M021 | M021 | M021 | M021 | BOUCHON REMPLISSAGE HUILE | TRANSMISSION OIL FILLER CAP | TAPÓN LLENADO ACEITE CARTER |
| 8 | M022 | M022 | M022 | M022 | CARTER DOUILLE CENTRAGE CARTER | DOWEL PIN | CASQUILLO CENTRADOR |
| 9 | M363 | M363 | M363 | M363 | AXE POMPE A EAU | WATERPUMP SHAFT | EJE BOMBA AGUA |
| 10 | M351 | M351 | M351 | M351 | TURBINE DE POMPE A EAU | WATERPUMP IMPELLER | TURBINA BOMBA AGUA |
| 11 | M033 | M033 | M033 | M033 | JOINT TORIQUE COUVERCLE POMPE | O-RING WATERPUMP COVER | JUNTA TÓRICA TAPA BOMBA AGUA |
| 12 | M034 | M034 | M034 | M034 | JOINT TORI. COUVERCLE ALLUMAGE | O-RING IGNITION COVER | JUNTA TÓRICA TAPA ENCENDIDO |
| 13 | M220 | M220 | M035 | M035 | JOINT CARTER CENTRAL | CRANKCASE GASKET | JUNTA CARTER CENTRAL |
| 14 | M036 | M036 | M036 | M036 | JOINT CARTER LATERAL | ENGINE SIDE CASE GASKET | JUNTA CARTER LATERAL |
| 15 | M045 | M045 | M045 | M045 | JOINT TORIQUE 155x2 | O-RING 155x2 | JUNTA TÓRICA 155X2 TAPA EMBRAGUE |
| 16 | M162 | M162 | M162 | M162 | TORIQUE 10x2.5 BOUCHON HUILE | O-RING | JUNTA TÓRICA TAPÓN ACEITE |
| 17 | M017 | M017 | M017 | M017 | DURITE RENIFLAR 3X5 | CRANKCASE BREATHER PIPE | TUBO DEPRESOR 3X5 |
| 18 | M079 | M079 | M079 | M079 | ADESIF OIL OUT | OIL DRAIN STICKER | ADHESIVO OIL OUT |
| 19 | M170 | M170 | M170 | M170 | JOINT DOUBLE LEVRES 17x28x5 DL | OIL SEAL 17x28x5 DL | RETÉN DOBLE LABIO 17X28X5 DI. |
| 20 | M077 | M077 | M077 | M077 | DOUILLE AGUILLE HK1712 B | NEEDLE ROLLER BEARING HK1712 B | JAULA AGUJAS HK1712 B |
| 21 | M364 | M364 | M364 | M364 | PIGNON POMPE EAU | WATER PUMP PINON | PIÑÓN BOMBA AGUA |
| 22 | M253 | M253 | M253 | M253 | VIS CHC 6x30 | SCREW CHC 6x30 | TORNILLO M6X30 DIN 912 |
| 23 | M254 | M254 | M254 | M254 | VIS CHC 6x55 | SCREW CHC 6x55 | TORNILLO M6X55 DIN 912 |
| 24 | M256 | M256 | M256 | M256 | VIS CHC 6x45 | SCREW CHC 6x45 | TORNILLO M6X45 DIN 912 |
| 25 | M258 | M258 | M258 | M258 | VIS BHC 5x16 | SCREW CHC 5x16 | TORNILLO M5X16 UL5 |
| 26 | M291 | M291 | M291 | M291 | GOUJON DE CILYNDRE 8x46 | STUD CYLINDER 8x46 | ESPÁRRAGO CILINDRO 8X46 |
| 29 | M049 | M049 | M049 | M049 | RON. BUTTE POMPE A EAU 8X1 6X0.5 | WATER PUMP BUSHING 8X1 6X0.5 | ARANDELA 8X1 6X0.5 |
| 30 | M030 | M030 | M030 | M030 | RON. BUTTE POMPE A EAU 8X16X1 | WATER PUMP BUSHING 8X16X1 | ARANDELA 8X16X1 |
| 31 | M027 | M027 | M027 | M027 | ROULEMENT | BEARING | COJINETE BOMBA H ₂ O |
| 32 | M031 | M031 | M031 | M031 | JOINT | SEAL | RETEN |
| 33 | M049 | M049 | M049 | M049 | RONDELLE | OIL SEAL | ARANDELA |

Villebrequin assemble / Crankshaft assembly / Cigüeñal biela

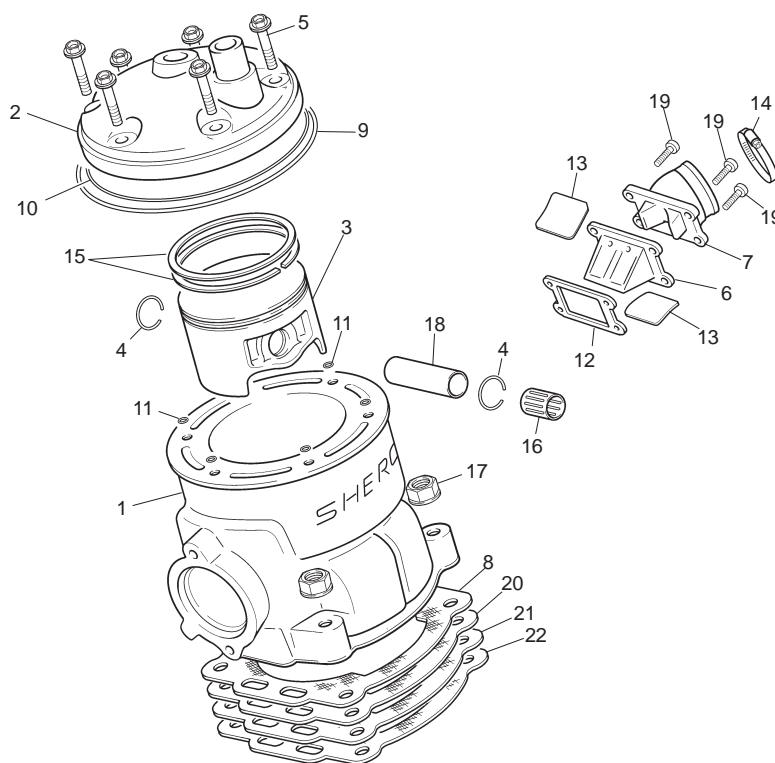


| POS. | 0.8 | 1.2 | 2.5 | 2.9 | FRANÇAIS | ENGLISH | ESPAÑOL |
|------|------|------|------|------|----------------------------------|------------------------------|-------------------------------|
| 1 | M014 | M014 | M014 | M014 | CVILLEBREQUIN CPL TRIAL | CRANCK SHAFT ASSY | CIGÜEÑAL CPL |
| 2 | M200 | M200 | M200 | M200 | PIGNON PRIMAIRE | PRIMARY DRIVE CRANK PINON | PIÑON PRIMARIO |
| 3 | M204 | M204 | M204 | M204 | CLAVETTE PIGNON PRIMAIRE | WOODRUFF KEY PRIMARY DRIVE | CHAVETA PIÑÓN PRIMARIA |
| 4 | R021 | R021 | R021 | R021 | KIT BIELLE | CRANKSHAFT REPAIR KIT | KIT BIELA |
| 5 | M023 | M023 | M023 | M023 | CLAVETTE VILO/DIST 19D | WOODRUFF KEY | CHAVETA 4X15 DIN 6885 FE |
| 6 | M032 | M032 | M032 | M032 | JOINT LEVRE VILO 25X40X7DL | CRANKSHAFT SEAL 25X40X7DL | RETEN CIGÜEÑAL 25X40X7DL |
| 7 | M028 | M028 | M028 | M028 | ROULEMENT BILLE VILO 6206.TN9/C3 | CRANK. BEARING 6206.TN9 C3C3 | COJINETE CIGÜEÑAL 6206.TN9 C3 |
| 8 | M206 | M206 | M206 | M206 | RONDELLE BELLEVILLE 14,2X28X1,5 | SPRING WASHER | ARANDELA CONICA 14,2X28X1,5 |
| 9 | M295 | M295 | M295 | M295 | ECROU 14 X 125 | HEX NUT M14 X 125 | TUERCA M14 X 125 |

Embrayage / Clutch / Embrague

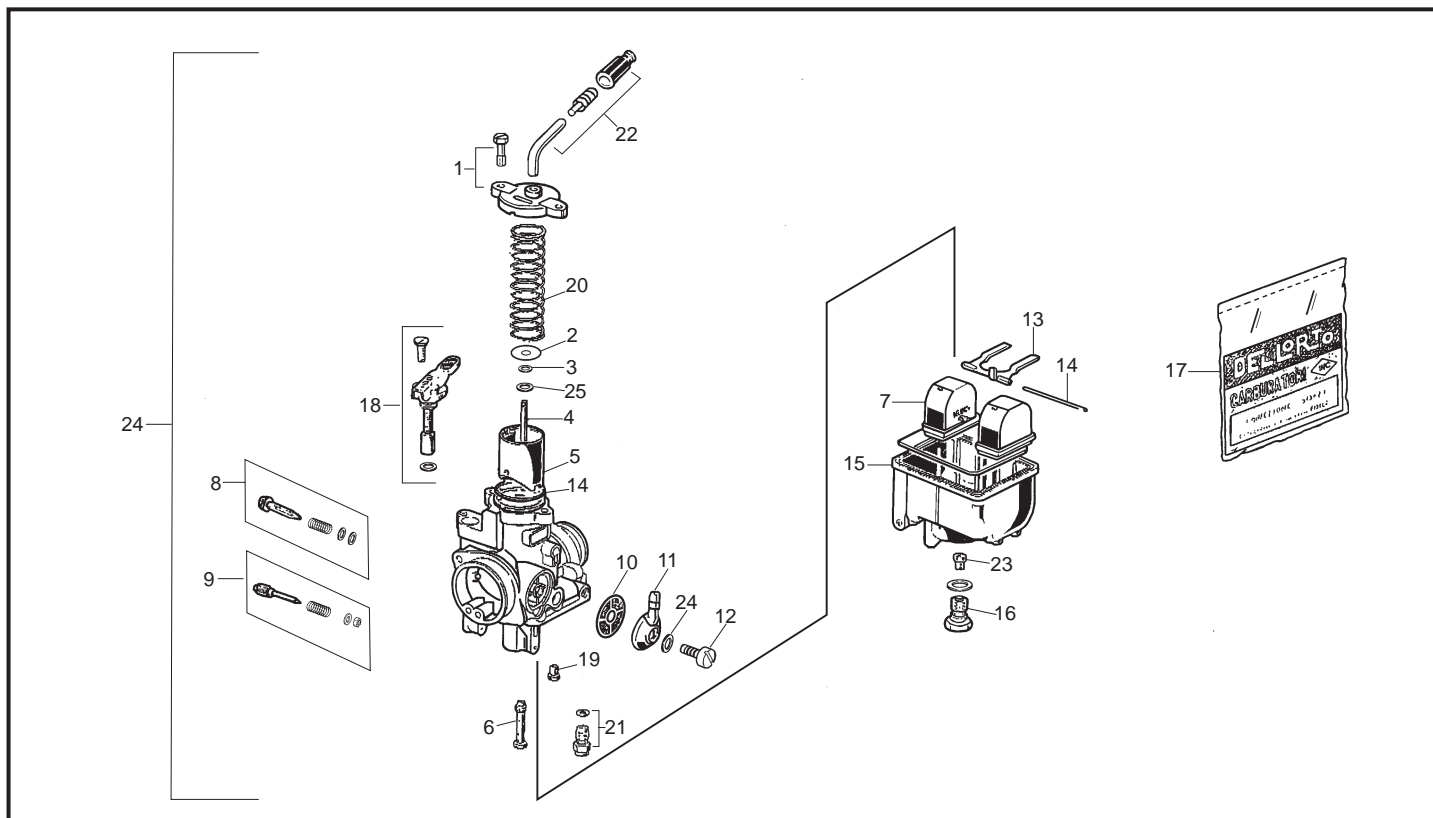


| POS. | 0.8 | 1.2 | 2.5 | 2.9 | FRANÇAIS | ENGLISH | ESPAÑOL |
|------|------|------|------|------|------------------------------------|---------------------------------|------------------------------------|
| 1 | M080 | M080 | M080 | M080 | DISQUE GARNI | FRICITION CLUTCH DISK | DISCO EMBRAGUE FORRADO |
| 2 | M081 | M081 | M081 | M081 | DISQUE LISE | METAL CLUTCH DISK | DISCO EMBRAGUE METÁLICO |
| 3 | M083 | M083 | M083 | M083 | NOYAU | CLUTCH HUB | CUBO EMBRAGUE |
| 4 | M084 | M084 | M084 | M084 | PLATEAU | CLUTCH PRESSURE PLATE | PLATO EMBRAGUE |
| 5 | M085 | M085 | M085 | M085 | POUSSOIR AXIAL | CLUTCH ACTUATOR | PULSADOR AXIAL |
| 6 | M087 | M087 | M087 | M087 | RONDELLE BELLEVILLE 16,3x31,5x1,5 | BELLEVILLE WASHER 16,3X31,5X1,5 | ARANDELA FIJACIÓN 16,3X31,5X1,5 |
| 7 | M090 | M090 | M090 | M090 | BUTEE AIGUILLE EMB AXK1226A | CLUTCH BEARING | CASQ. AGUJAS EMBRAGUE AXK1226A |
| 8 | M091 | M091 | M091 | M091 | RONDELLE BUTEE AS 12X26X1 | THRUST WASHER 12X26X1 | ARANDELA AS 12X26X1 |
| 9 | M092 | M092 | M092 | M092 | RESSORT EMB | CLUTCH SPRING | MUELLE EMBRAGUE |
| 10 | M093 | M093 | M093 | M093 | RONDELLE EMB | CLUTCH SPRING WASHER | ARANDELA EMBRAGUE |
| 11 | M086 | M086 | M086 | M086 | TIGE EMBRAYAGE | PUSHROD | VARILLA EMBRAGUE |
| 12 | M293 | M293 | M293 | M293 | ECROU NOYAU EMB M16X125 | HEX NUT CLUTCH M16X125 | TUERCA CUBO EMBRAGUE |
| 13 | M201 | M201 | M201 | M201 | ROUE PRIMAIRE | PRIMARY DRIVE CLUTCH PINON | RUEDA PRIMARIA |
| 14 | M203 | M203 | M203 | M203 | DOUILLE ROUE PRIMAIRE | SPACER PRIMARY DRIVE | CASQUILLO RUEDA PRIMARIA |
| 15 | M205 | M205 | M205 | M205 | CAGE A AIGUILLE 25x33x24 | NEEDLE BEARING 25x33x24 | JAULA AGUJAS 25X33X24 |
| 16 | M208 | M208 | M208 | M208 | RONDEILLE BUTEE R PRIM INA AS 2035 | PRIMARY WASHER AS 2035 | ARANDELA TOPE PRIMARIA INA AS 2035 |
| 17 | M357 | M357 | M357 | M357 | HOLDER CLOCHE | CLUTCH BASKET | CAMPANA EMBRAGUE |
| 18 | M359 | M359 | M359 | M359 | RONDELLE | SHIM | PLATO REMACHES |
| 19 | M358 | M358 | M358 | M358 | SILENT BLOCK | SILENT BLOCK | SILENTBLOCK |
| 20 | M270 | M270 | M270 | M270 | RIVET 4X15 | RIVET 4X15 | REMACHE 4X15 |
| 21 | M360 | M360 | M360 | M360 | GROUPE CLOCHE | CLUTCH HUB BASKET ASSEMBLY | CONJUNTO CAMPANA |

Culasse / Cylinder head / Culata


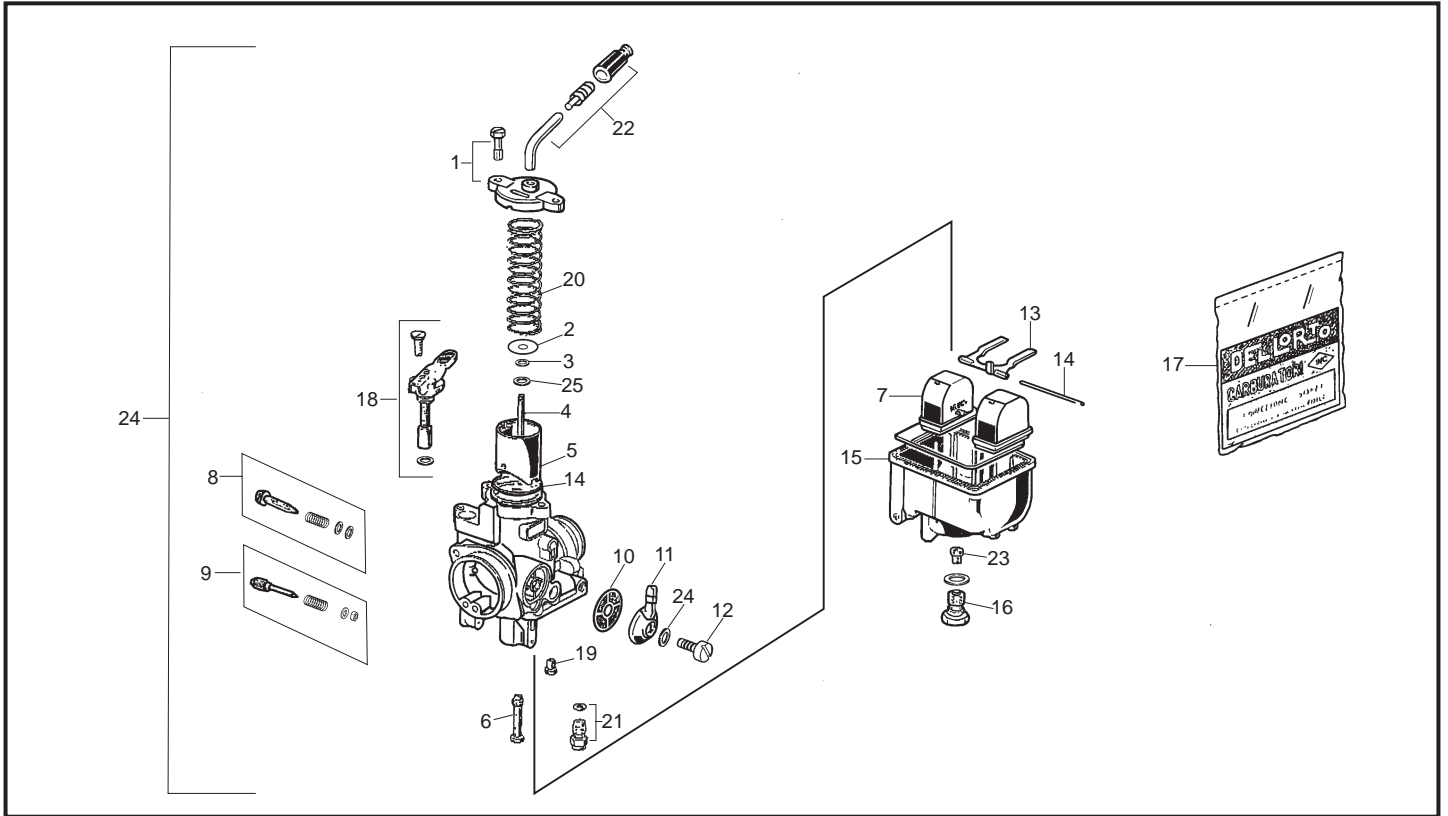
| POS. | 0.8 | 1.2 | 2.5 | 2.9 | FRANÇAIS | ENGLISH | ESPAÑOL |
|------|------|------|------|------|-----------------------------------|-----------------------------------|------------------------------------|
| 1 | M708 | M683 | M685 | M686 | CYLINDRE | CYLINDER | CILINDRO |
| 2 | M469 | M705 | M704 | 1221 | CULASSE | CYLINDER HEAD | CULATA |
| 3 | C467 | M212 | M009 | M245 | PISTON COMPLET | PISTON COMPLETE | PISTÓN + BULÓN + AROS + CIRCLIPS |
| 4 | ---- | R218 | R218 | R218 | CIRCLIPS PISTON | PISTON CIRCLIP | SERCLIP PISTÓN |
| 5 | 0547 | 0547 | 0547 | 0547 | VIS TH 6X30 | SCREW TH EP 6X30 | TORNILLO TH 6X30 |
| 6 | C470 | C470 | M018 | M018 | BOITE A CLAPETS | REEDS CASE | CAJA DE LAMINAS COMPLETE |
| 7 | M019 | M019 | M019 | M019 | PIPE ADMISSION | INTAKE MANIFOLD | TOBERA ADMISIÓN |
| 8 | M221 | M221 | M037 | M681 | JOINT EMBASE CYLINDRE | CYLINDER GASKET | JUNTA CILINDRO |
| 9 | M038 | M038 | M038 | M038 | JOINT TORIQUE CULASSE VITON | CYLINDER HEAD O-RING | JUNTA TÓRICA CULATA EXTERIOR |
| 10 | M039 | M039 | M039 | M039 | JOINT TORIQUE CULASSE VITON | CYLINDER HEAD O-RING | JUNTA TÓRICA CULATA INTERIOR |
| 11 | M040 | M040 | M040 | M040 | JOINT TORIQUE CYLINDRE 5,7x1,9 | CYLINDER HEAD O-RING BOLT 5,7X1,9 | JUNTA TÓRICA ESPAR. CULATA 5,7X1,9 |
| 12 | M041 | M041 | M041 | M041 | JOINT BOITE CLAPET | REEDCASE GASKET | JUNTA CAJA LAMINAS |
| 13 | ---- | R022 | R022 | R022 | CLAPET RECHANGE | REED VALVES | JUEGO LAMINAS |
| 14 | C110 | C110 | C110 | C110 | COLLIER NORMA 32/50 | HOSE CLAMP | ABRAZADERA NORMA 32/50 |
| 15 | NEW | R213 | R442 | R215 | SEGMENT RECTANGULAIRE | STANDARD SIZE PISTON RINGS | ARO RECTANGULAR |
| 16 | M241 | M241 | M248 | M248 | CAGE AIGUILLE PISTON KBK/16X20X18 | NEEDLE BEARING KBK/16X20X18 | JAULA AGUJAS 16X20X18 |
| 17 | M272 | M272 | M272 | M272 | ECROU EMBASE x8 | COLLAR HEX NUT M8 | TUERCA M8 CON VALONA DIN 6923 B |
| 18 | ---- | M219 | R013 | R221 | AXE DE PISTON | PISTON PIN | BULÓN PISTÓN |
| 19 | M279 | M279 | M279 | M279 | VIS BCH 6X20 | SCREW BCH 6X20 | TORNILLO M6X20 ULS |
| 20 | 1180 | 1180 | 1177 | 1171 | JOINT EMBASE CYLINDRE 0,20 | CYLINDER GASKET 0,20 | JUNTA CILINDRO 0,20 |
| 21 | 1181 | 1181 | 1178 | 1172 | JOINT EMBASE CYLINDRE 0,30 | CYLINDER GASKET 0,30 | JUNTA CILINDRO 0,30 |
| 22 | 1182 | 1182 | 1179 | 1173 | JOINT EMBASE CYLINDRE 0,40 | CYLINDER GASKET 0,40 | JUNTA CILINDRO 0,40 |

Carburateur / Carburetor / Carburador



| POS. | 0.8 | 1.2 | 2.5 | 2.9 | FRANÇAIS | ENGLISH | ESPAÑOL |
|------|------|------|------|------|-----------------------------|------------------------|----------------------------|
| 1 | R369 | R369 | R369 | R369 | KIT COUVERCLE BOISSEAU | CARBURETOR COVER | TAPA CARBURADOR |
| 2 | R370 | R370 | R370 | R370 | PLATINE DE RESSORT CARBU | WASHER STOP | ARANDELA TOPE AGUJA |
| 3 | R371 | R371 | R371 | R371 | CLIP AIGUILLE CARBU | NEEDLE CLIP | CLIP AGUJA |
| 4 | R372 | R372 | R372 | R372 | AIGUILLE CARBU | NEEDLE | AGUJA |
| 5 | R373 | R373 | R373 | R373 | BOISSEAU | SLIDE | CAMPANA |
| 6 | R374 | R374 | R374 | R374 | PULVERISATEUR CARBU | SPRAYER | PULVERIZADOR |
| 7 | R375 | R375 | R375 | R375 | FLOTEUR DE CARBU | FLOAT | BOYA |
| 8 | R376 | R376 | R376 | R376 | KIT VIS RGUL GAS CARBU | IDLE SCREW | TORNILLO RELENTÍ |
| 9 | R377 | R377 | R377 | R377 | KIT VIS RGUL ESSENCE CARBU | FUEL SCREW | TORNILLO AIRE |
| 10 | R378 | R378 | R378 | R378 | FILTRE ESS CARBU | FUEL FILTER | FILTRO GASOLINA |
| 11 | R379 | R379 | R379 | R379 | PIPETTE RECCORD TUBE ESS | FUEL FILTER COVER | PIPETA TUBO GASOLINA |
| 12 | R380 | R380 | R380 | R380 | VIS PIPETTE CARBU | SCREW | TORNILLO PIPETA |
| 13 | R381 | R381 | R381 | R381 | BALANCIER DE FLOTEUR CARBU | FLOAT BOWL LEVER | BALANCÍN |
| 14 | R382 | R382 | R382 | R382 | AXE BALANCIER FLOTEUR CARBU | SHAFT | EJE BALANCÍN |
| 15 | R383 | R383 | R383 | R383 | CUVE CARBURATEUR | FLOAT | CUBA CARBURADOR |
| 16 | R384 | R384 | R384 | R384 | VIS FIXATION CUVE | SCREW | TORNILLO FIJACIÓN CUBA |
| 17 | R385 | R385 | R385 | R385 | KIT JOINT CARBURATEUR | GASKET SET | KIT JUNTAS |
| 18 | R147 | R147 | R147 | R147 | GROUPE STARTER | COLD STARTER ASSEMBLY | LEVA STARTER |
| 19 | R140 | R140 | R140 | R140 | GICLEUR RALENTI 30 | PILOT JET 30 | PULVERIZADOR RALENTÍ 30 |
| 19 | R142 | R142 | R142 | R142 | GICLEUR RALENTI 32 | PILOT JET 32 | PULVERIZADOR RALENTÍ 32 |
| 19 | R143 | R143 | R143 | R143 | GICLEUR RALENTI 33 | PILOT JET 33 | PULVERIZADOR RALENTÍ 33 |
| 19 | R144 | R144 | R144 | R144 | GICLEUR RALENTI 34 | PILOT JET 34 | PULVERIZADOR RALENTÍ 34 |
| 19 | R145 | R145 | R145 | R145 | GICLEUR RALENTI 35 | PILOT JET 35 | PULVERIZADOR RALENTÍ 35 |
| 19 | R146 | R146 | R146 | R146 | GICLEUR RALENTI 36 | PILOT JET 36 | PULVERIZADOR RALENTÍ 36 |
| 20 | M044 | M044 | M044 | M044 | RESSORT CARBURATEUR | SPRING CARBURETOR | MUELLE CARBURADOR |
| 21 | R394 | R394 | R394 | R394 | VALVE AGUILLE 33 | CARBURETOR INLET VALVE | VÁLVULA AGUJA 33 |
| 22 | R237 | R237 | R237 | R237 | GUIDE CARBURATEUR | CARBURETOR GUIDE | CURVA GUÍA CARBURADOR |
| 23 | R120 | R120 | R120 | R120 | GICLEUR PRINCIPAL 120 | MAIN JET 120 | PULVERIZADOR PRINCIPAL 120 |
| 23 | R121 | R121 | R121 | R121 | GICLEUR PRINCIPAL 121 | MAIN JET 121 | PULVERIZADOR PRINCIPAL 121 |
| 23 | R122 | R122 | R122 | R122 | GICLEUR PRINCIPAL 122 | MAIN JET 122 | PULVERIZADOR PRINCIPAL 122 |
| 23 | R123 | R123 | R123 | R123 | GICLEUR PRINCIPAL 123 | MAIN JET 123 | PULVERIZADOR PRINCIPAL 123 |
| 23 | R124 | R124 | R124 | R124 | GICLEUR PRINCIPAL 124 | MAIN JET 124 | PULVERIZADOR PRINCIPAL 124 |
| 23 | R125 | R125 | R125 | R125 | GICLEUR PRINCIPAL 125 | MAIN JET 125 | PULVERIZADOR PRINCIPAL 125 |
| 23 | R126 | R126 | R126 | R126 | GICLEUR PRINCIPAL 126 | MAIN JET 126 | PULVERIZADOR PRINCIPAL 126 |

Carburateur / Carburetor / Carburador



| POS. | 0.8 | 1.2 | 2.5 | 2.9 | FRANÇAIS | ENGLISH | ESPAÑOL |
|------|------|------|------|------|-----------------------|---------------------|----------------------------|
| 23 | R127 | R127 | R127 | R127 | GICLEUR PRINCIPAL 127 | MAIN JET 127 | PULVERIZADOR PRINCIPAL 127 |
| 23 | R128 | R128 | R128 | R128 | GICLEUR PRINCIPAL 128 | MAIN JET 128 | PULVERIZADOR PRINCIPAL 128 |
| 23 | R129 | R129 | R129 | R129 | GICLEUR PRINCIPAL 129 | MAIN JET 129 | PULVERIZADOR PRINCIPAL 129 |
| 23 | R130 | R130 | R130 | R130 | GICLEUR PRINCIPAL 130 | MAIN JET 130 | PULVERIZADOR PRINCIPAL 130 |
| 24 | M020 | M020 | M020 | M020 | CARBURATEUR COMPLET | CARBURETOR COMPLETE | CARBURADOR COMPLETO |
| 25 | 1251 | 1251 | 1251 | 1251 | RONDELLE AGUILLE 0,05 | WASHER PLAIN 0,05 | ARANDELA AGUJA 0,05 |